

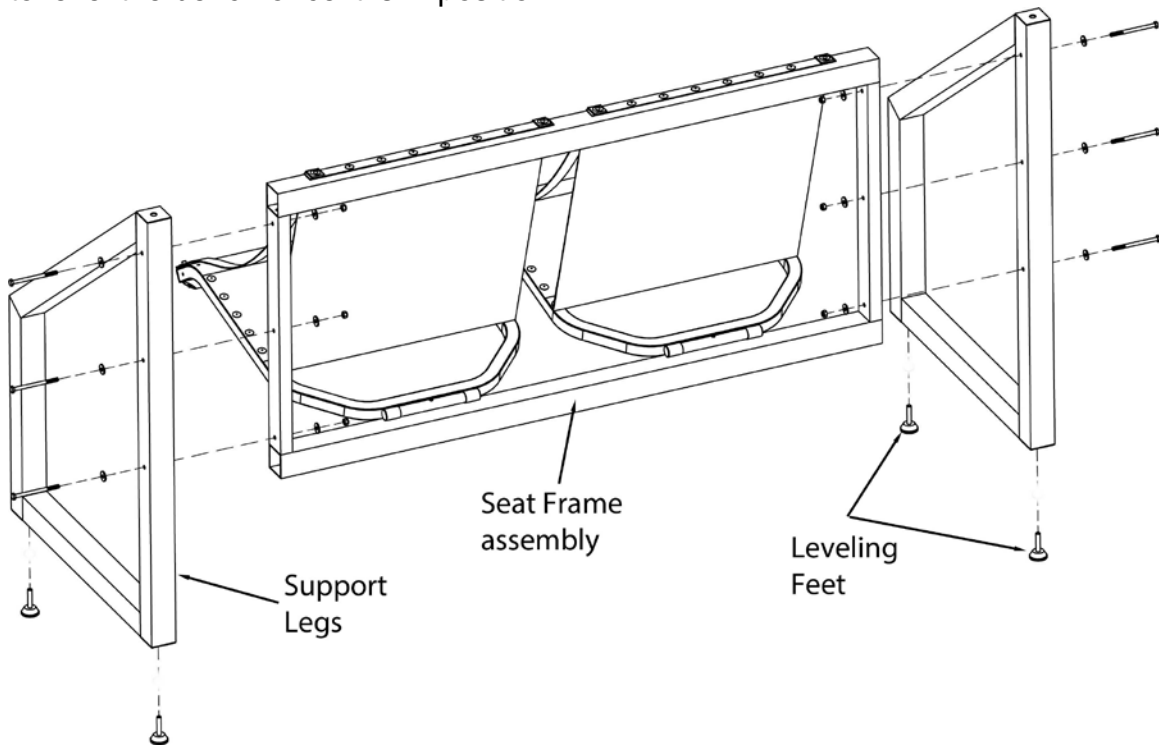


ASSEMBLY AND USE INSTRUCTIONS FOR
A-002-2X Bench
By Millennium Outdoors

WEIGHT CAPACITY OF THIS BENCH IS 500 POUND INCLUDING PERSONS AND GEAR.

(ASSEMBLY)

Assemble the seat assembly to the support legs using the 6 Bolts ,12 washers, 6 nuts and 4 leveling feet. Place a washer under the head of each bolt and under the nuts. Do not over tighten as it could crush the tubing. Screw the 4 leveling legs completely into the bottom of the bench support legs and these can be used to level the bench once it is in position.



Note: Millennium products are manufactured using very tight tolerances so it may be necessary to tap the bolts into the holes with a hammer, this is normal and makes for a much quieter product.

Warning: This bench is for ground use only and is not designed to be used in a moving vehicle.

WARRANTY

Millennium Outdoors Products have a limited 3 year warranty against defects in materials or workmanship. This warranty applies to the original purchaser it is not transferable and does not cover damage caused by ordinary wear and tear, modifications, misuse or use contrary to Millennium Outdoors specifications or instructions. Millennium Outdoors only obligation and your exclusive remedy will be replacement or repair of the defective part at our discretion. Powder coat finishes, seat fabric, buckles or webbing are not covered under this warranty. Millennium Outdoors makes no other warranties expressed or implied. Millennium Outdoors is not liable for any incidental or consequential damage which may result from any defect in a Millennium Outdoors product. To activate this Warranty fill out and sign the warranty information below and Mail to Millennium Outdoors , Marine Division 201 Fairmont Plaza Pearl, MS 39208

Thank you for your purchase of the A-002-2X by Millennium Outdoors with proper use and care it should give you many years of safe and pleasurable hunts.

Happy Hunting!

CUT HERE AND MAIL

I have read the instructions that accompanied my Millennium product by Millennium Outdoors and I fully understand them. I agree to use my Millennium product correctly.

I understand that I am ultimately responsible for my own safety. I know that I can call or email Millennium Outdoors at 601-932-5832 or info@millenniumstands.com if I have any questions. Please activate my Warranty.

Name _____

Address _____

Model of treestand _____ Age _____

Signature _____ Date _____

Phone _____

Email _____

Place of Purchase _____