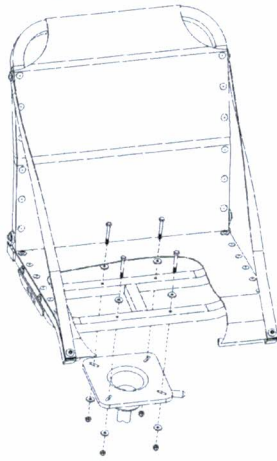


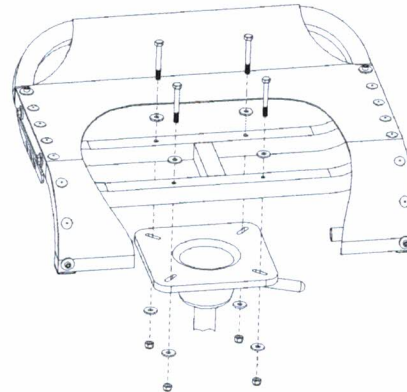


Installation Instructions
for
B-100, SW-100, B-200, SW-200, B-300 and SW-300 boat seats.

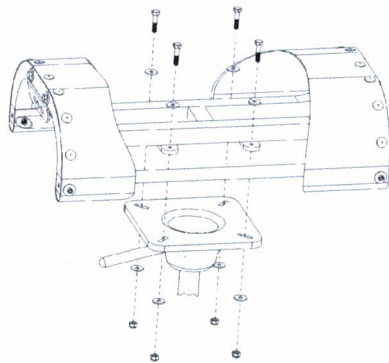
Bolt the seat to the pedestal using the four 1/4" stainless steel bolts, eight washers and four nuts provided as seen in images below. Make sure bolts are snug but do not over tighten as it will crush the aluminum tubing.



B-100, SW-100



B-200, SW-200



B-300, SW-300

Cleaning: Should your Millennium Marine Boat Seat need cleaning it can be washed with mild detergent and water. For stubborn stains 409® brand cleaner works very well.