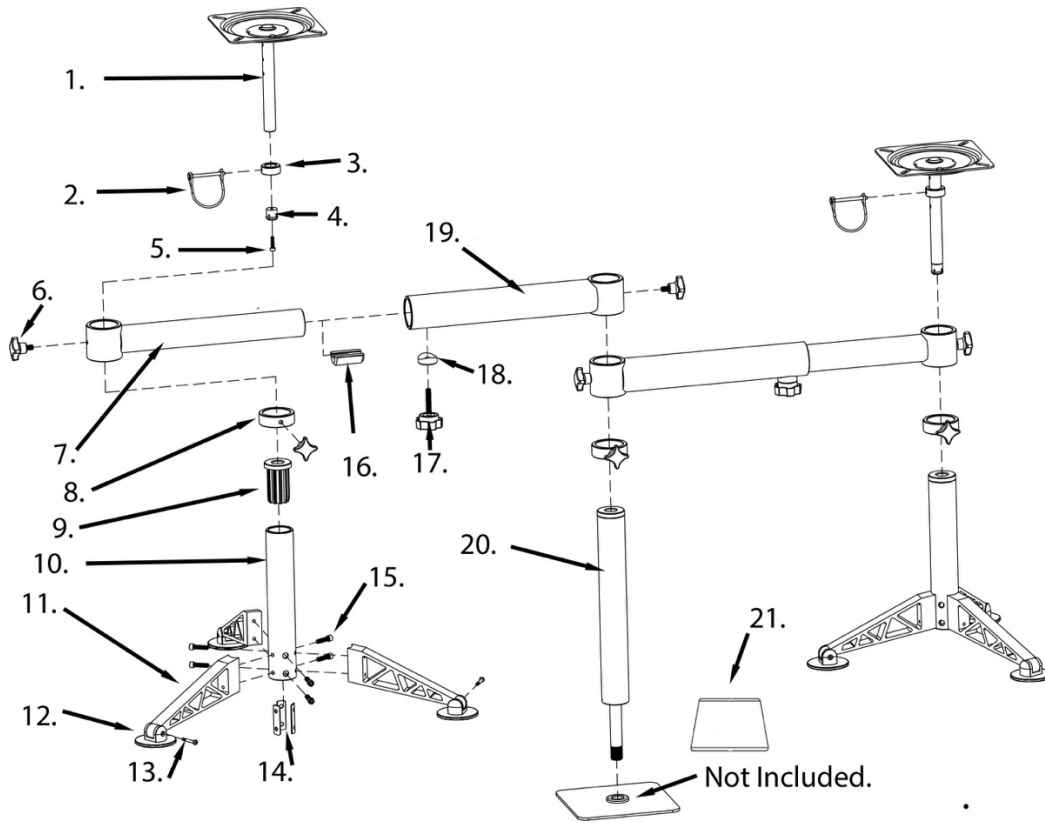


## Instructions for the D-200-00 Side Kick.

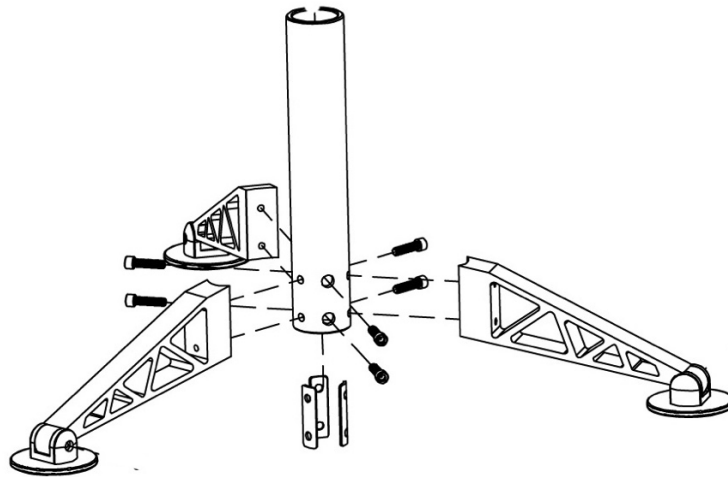


(FIGURE 1)

Part#	Quantity	Part#	Quantity
1.Adjustable Seat Post	(2)	12. Composite Foot	(6)
2.Spring Pin	(2)	13.Foot Attachment Screw	(6)
3. Seat Post Collar	(2)	14.Dual Backing Washer	(6)
4.Plastic Friction ring	(3)	15. Tri-Leg Attachment Bolts	(12)
5.Friction ring Screw	(3)	16.Slide Lock	(2)
6.Locking Knob	(7)	17.Slide Lock Knob	(2)
7. Horizontal Support (Male)	(2)	18.Knob Seat	(2)
8.Locking Collar	(3)	19.Horizontal Support ( Female)	(2)
9.Swivel Bushing	(3)	20.Seat Riser With King Pin	(1)
10.Seat Riser	(2)	21. Short Pin Stabilizing Bushing	(1)
11.Tri- Leg	(6)		

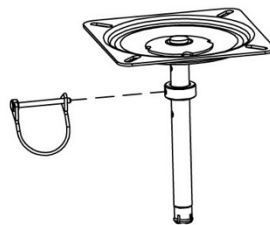
## ASSEMBLY

1. Using the hex wrench provided attach the Tri Legs (#12) to the Seat Riser (#10) using the 6 bolts (#15). Make sure to place the Dual Backing Washers (#14) under the head of the bolts inside the riser tube. There are two different diameter holes in the riser make sure to bolt the Tri legs to the smaller holes while inserting the wrench provided thru the larger holes. See (Figure 2) below. Repeat this on the other seat riser.



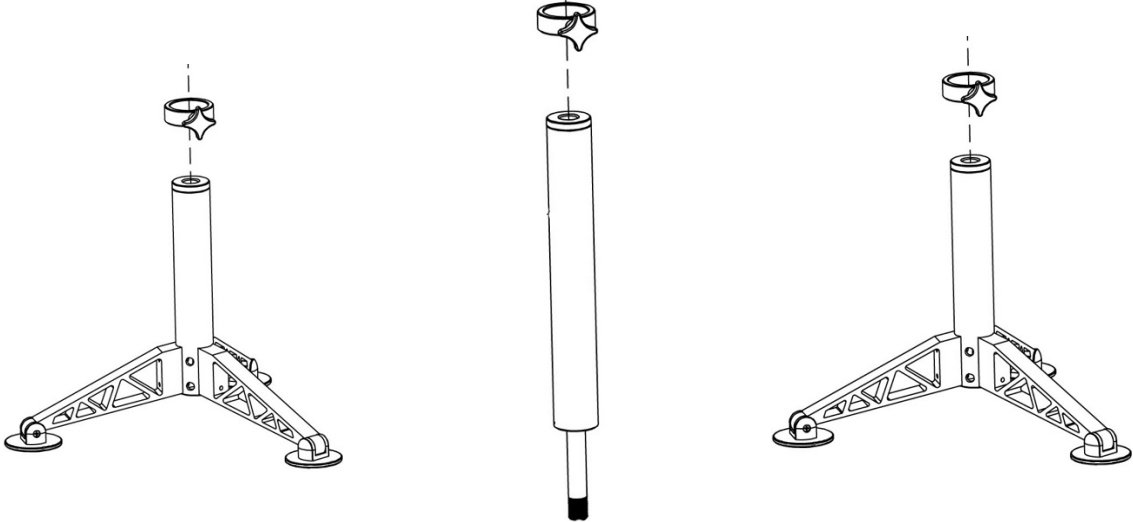
(FIGURE 2)

2. Assemble the seat post collar on the seat posts and insert the spring pin as seen in (FIGURE 3). The height can be adjusted by simply moving the collar and pin to a different hole.



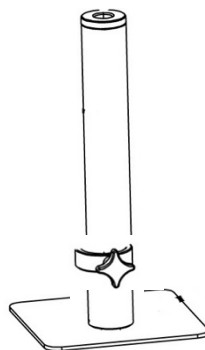
(FIGURE 3)

3. Place one Locking Collar (#8) on each seat riser as seen in (Figure 4) and position about 1 inch from the bottom of each riser and lightly tighten the knob.



(Figure 4)

4. You are now ready to install in the boat. Start by screwing the seat riser with king pin clockwise into the receiver in the floor of your boat until tight as seen in (Figure 5).

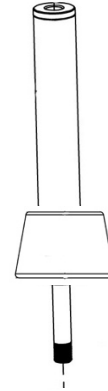


(FIGURE 5)

5. If your receiver is not the screw in type, you need to place the plastic friction ring (# 4) on the bottom of the king pin and secure with bolt (# 5) As seen in (FIGURE 6). You will also need to use spacer stabilizer bushing (# 21) as seen in (Figure 7). This will shorten the king pin and stabilize the seat riser.

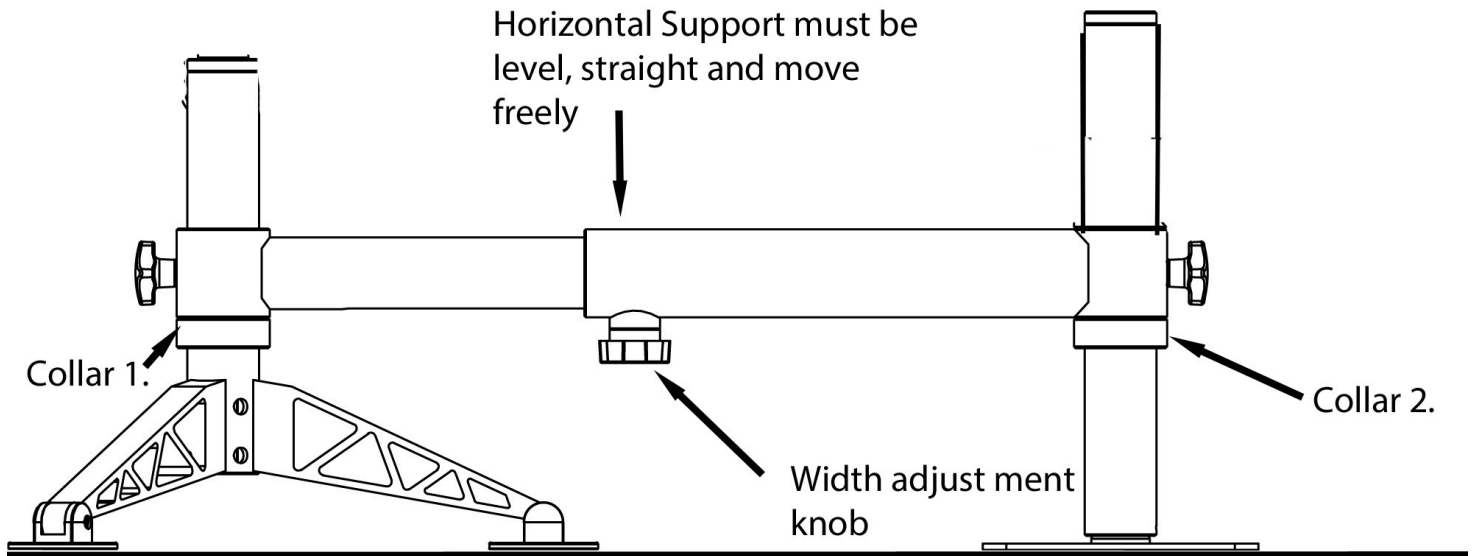


(FIGURE 6)



(FIGURE 7)

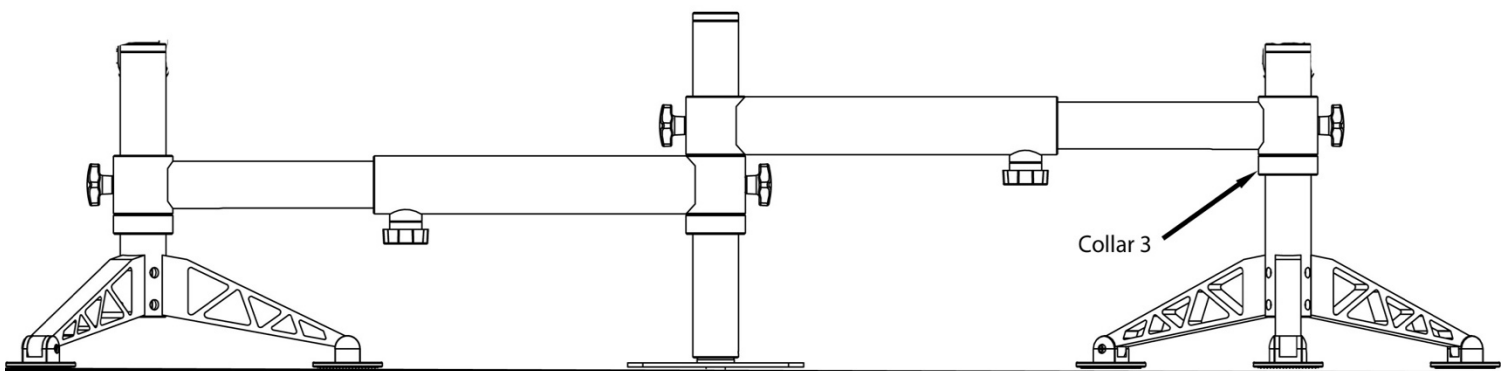
6. Make sure collar 1 is positioned approximately 1 inch above the tri-legs on the seat riser and is tight. You can now install the lower horizontal support that connects the center seat riser (# 20) to the tri-leg seat riser (# 10) as seen in (FIGURE 8). Place the Tri-leg seat riser in the approximate location you would like your seat to be, making sure the horizontal support is straight between the two seat risers and moves freely. You can now raise collar 2 up under the horizontal support and tighten as in (FIGURE 8).



(FIGURE 8)

7. Now you can install the top Horizontal Support. Place the top Horizontal Support on the center seat riser and position it straight across to the Tri-leg seat riser in the approximate location you would like the seat and raise collar 3 up to support the Horizontal Support and tighten and it should be as in (FIGURE 9).

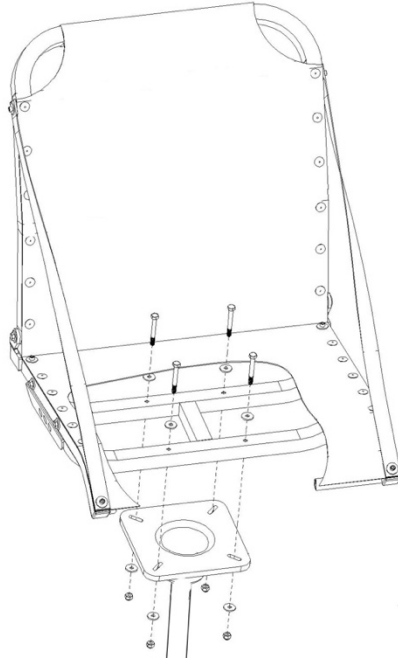
Note: When making width adjustments only loosen the horizontal adjustment knobs slightly. Do not remove them as they are difficult to reinstall.



(FIGURE 9)

8. Now you can tighten all knobs to hold the Side Kick in place.

9. Next step is to install the seats on the adjustable seat post. You can use almost any boat seat with a standard hole pattern but we believe the Millennium Marine seats are best suited for this application, see (FIGURE 10)



(FIGURE 10)

10. Now simply drop the seat post into the risers on your Side Kick and you are ready to go.

**WARNING:**

The Side Kick is for fishing purposes only, do not use at speeds above 5 MPH.

Before each use check all knobs to insure that they are tight and that the center seat riser is seated completely down into the receiver in the floor of the boat.

Always wear a PFD (Personal Flotation Device) while sitting in your Side Kick.

Be sure to fold down and secure all seats when the boat is underway.

Always remove and stow Side Kick before traveling at high speeds.

#### WARRANTY

Millennium Outdoors, LLC Warrants its products against defects in material and workmanship with proper use and storage for a period of 3 year from the date of purchase. Proof of purchase must be presented for any warranty claim. In event the product is found to be defective within the warranty period, Millennium Outdoors, LLC only obligation and your exclusive remedy shall be replacement or repair of any defective parts at our discretion. To obtain warranty service, please contact Millennium Outdoors, LLC customer service at (601) 932-5832. Exclusions to this warranty include seat fabric, paint, plastic, webbing and/or defects caused by operator misuse and/or abuse. Limitations to liability include the forgoing warranty is made in lieu of all other warranties, expressed or implied and Millennium Outdoors, LLC disclaims any implied warranty or merchantability and fitness. Millennium Outdoors, LLC shall not be liable for any damages direct, consequential or incidental arising out of the use or inability of this product.



Millennium Outdoors, LLC 201 Fairmont Plaza Pearl, MS 39208

Phone 601-932-5832 Fax 601-932-0068

[Millenniummarine.com](http://Millenniummarine.com)