



MILLENNIUM D-100 Deck Chair USE INSTRUCTIONS

1. The only assembly required is to remove the tripod base assembly from the zippered bag located on the bottom of the seat as seen in Figure (1)
2. Insert the male portion of the tripod into the female portion on the bottom of the seat as seen in Figure (1) making sure it is inserted completely.
3. Spread the tripod legs out completely as seen in Figure (1).
4. The height of the seat can be adjusted by using the detent buttons located on each leg. They can also be adjusted independently for uneven terrain.

TO PACK THE CHAIR FOR TRANSPORT:

1. Move each leg to its shortest configuration by using the detent buttons.
2. Fold the tripod support assembly.
3. Remove the tripod support assembly from the chair by pressing the detent button located on the male portion of the tripod just under the bottom of the seat as seen in Figure (1).
4. Place the tripod assembly back into zippered bag.

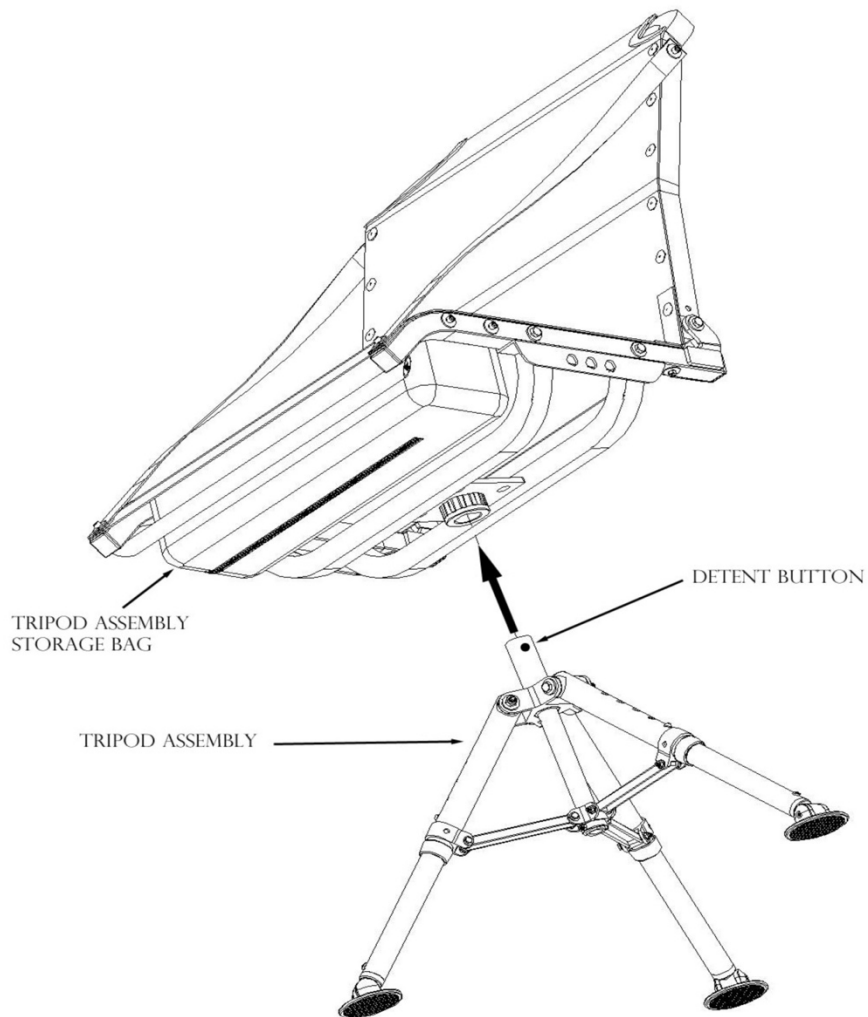


FIGURE (1)

CARE AND CLEANING

The seat fabric is made of Millenniums exclusive Polytec® fabric and can be washed with mild detergent and water. All moving parts can be lubricated with Triflow silicone lubricant.