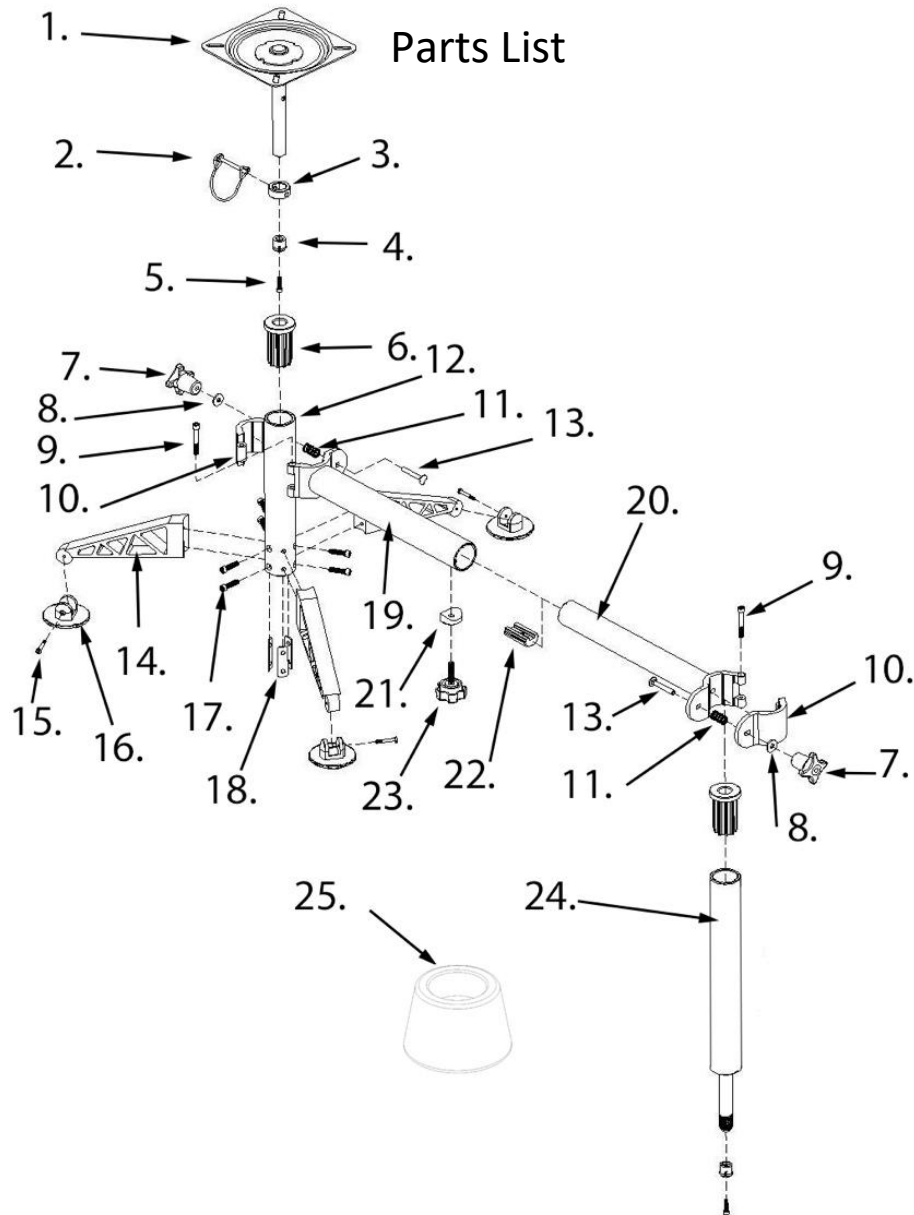


Instructions For D-200-00 Sidekick Gen. 2.



#	Description	Quantity	Size	Part Number
1.	Adjustable Seat Post	2		Y-200-12
2.	Spring Pin	2		Y-200-13
3.	Seat Post Collar	2		Y-200-14
4.	Plastic Friction ring	3		Y-200-15
5.	Friction Ring Screw	3	10-24 x 3/4"	Z-123-69
6.	Composite Seat Post Bushing	3		Y-200-16
7.	Knob	4	10-24 Female Knob	Y-200-04
8.	Flat Washer	4	1/4" x 3/4" Stainless	Z-123-68
9.	Hinge Pin Bolt	4	1/4" x 1-3/4" Cap Screw Stainless	Z-123-85
10.	Tube Clamp Cap	4		Y-200-17
11.	Spring	4		Y-200-06

12.	Seat Riser	2		Y-200-18
13.	Carriage Bolt	4	1/4" --20 x 1-3/4"	Z-123-76
14.	Tri-Leg	6		Y-200-19
15.	Foot Attachment Screw	6		Z-123-84
16.	Composite Foot	6		Y-200-20
17.	Tri-Leg Attachment Bolts	12	1/4" -20 x 1" Cap Screw Stainless	Z-123-87
18.	Dual Backing Washer	6		Y-200-21
19.	Horizontal Support (Female)	2		Y-200-22
20.	Horizontal Support (Male)	2		Y-200-23
21.	Knob Seat	2		Y-200-24
22.	Slide Lock	2		Y-200-25
23.	Slide Lock Knob	2	5/16" x 1-3/8"	Y-200-28
24.	Seat Riser With King Pin	1		Y-200-26
25.	Short Pin Stabilizing Bushing	1		Y-200-27

ASSEMBLY

STEP 1: Using The hex wrench provided attach the Tri Legs #14 to the Seat riser # 12 Using the 6 bolts # 17. Make sure to place the dual back up washers #18 under the head of the bolts inside the seat riser tube. Note: there are two different size holes in the riser, make sure to bolt the Tri-legs to the smaller hole while inserting the wrench thru the larger holes as seen in Figure 1 below.

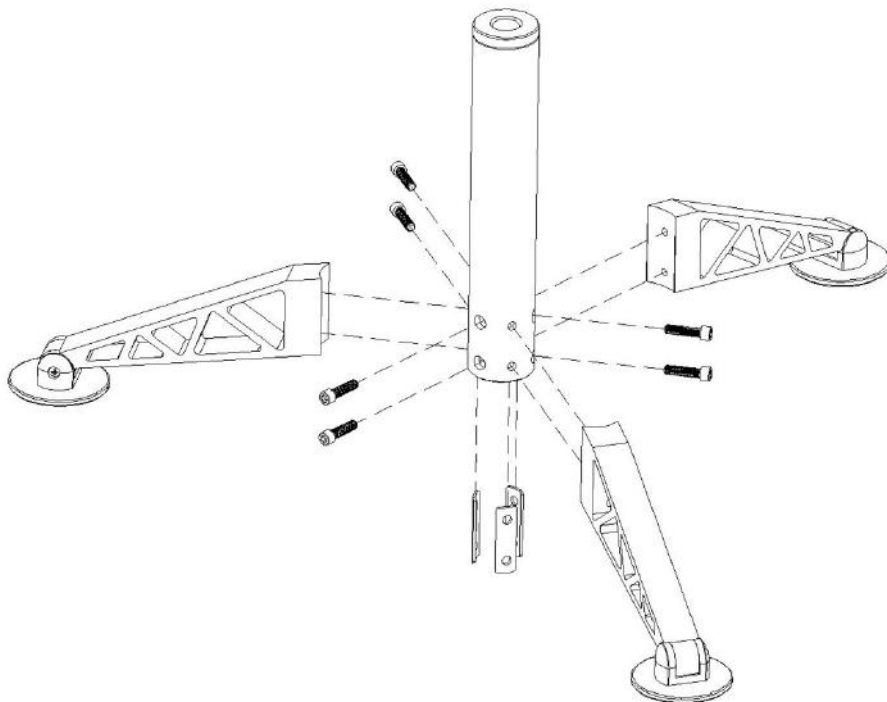


FIGURE 1

STEP 2: Assemble the seat post collar onto the seat post and insert the spring pin as seen in FIGURE 2. The seat height can be adjusted by simply moving the collar and the pin to a different hole.



FIGURE 2

STEP 3: Assemble the Tube Clamps using # 13 Carriage Bolt, # 11 Spring, # 8 Washer and # 7 Knob as seen in FIGURE 3.

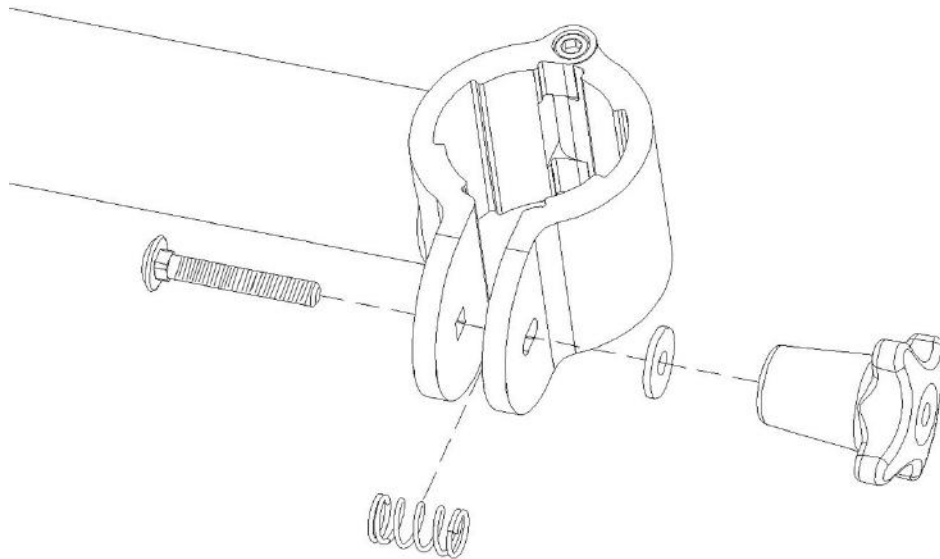


FIGURE 3

STEP 4: You are now ready to begin installing in the boat. Start by screwing the seat riser with kingpin clockwise into the receiver in the deck of your boat until tight as seen in FIGURE 4.

If your Receiver is not the screw in type you need to place the # 4 Friction Ring on the bottom of the kingpin and # 24 Short Pin Stabilizer Bushing as seen in FIGURE 5 this will help stabilize the seat riser. NOTE: If your boat

doesn't use the standard $\frac{3}{4}$ " king pin you need to get a seat riser from the company that built the receiver in your boat or replace the receiver with the $\frac{3}{4}$ " king pin style.

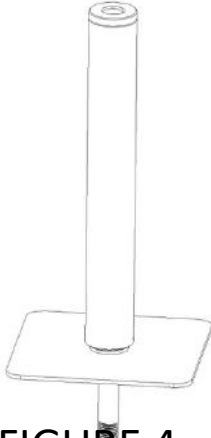


FIGURE 4

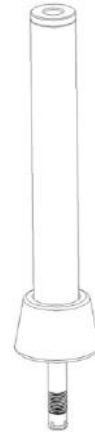


FIGURE 5

STEP: 5 Now you can install one of the Horizontal Support Assemblies on the center seat riser and one of the Tri-leg Seat Risers and placing it approximately where you want the seat to be as seen in FIGURE 6. You must always tighten the center Tubing Clamp first and then make sure three feet of the Tri-leg Riser are sitting flat on the deck when tighten the Tubing Clamp. NOTE: When adjusting the Horizontal supports do not loosen the Horizontal Adjustment knob more than two revolutions , if it is taken out completely it is difficult to reinstall.

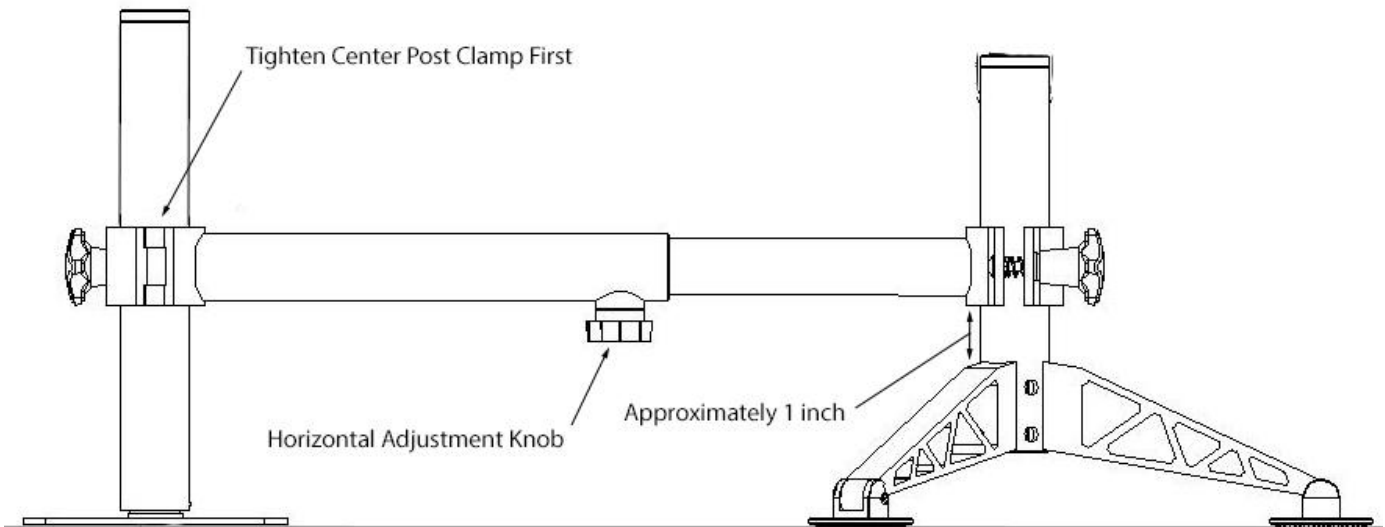


FIGURE 6

STEP 6: Now repeat this process with the other Horizontal Support Assembly as seen in FIGURE 7. Next tighten all knobs to hold the Side Kick in place.

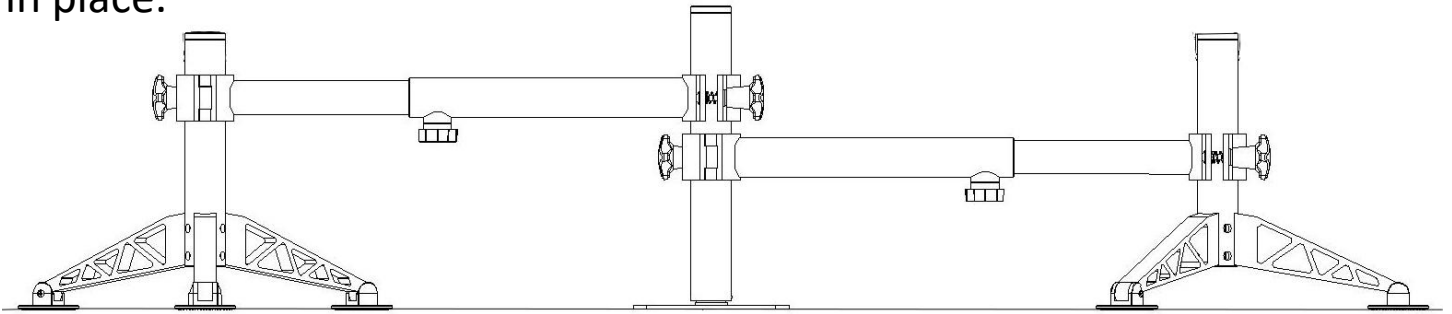


FIGURE 7.

STEP 8. Next install the seats on the adjustable seat post. The seat post is a standard bolt pattern and will fit most boat seats but we feel the Millennium seats are best suited for this application, see FIGURE 8.

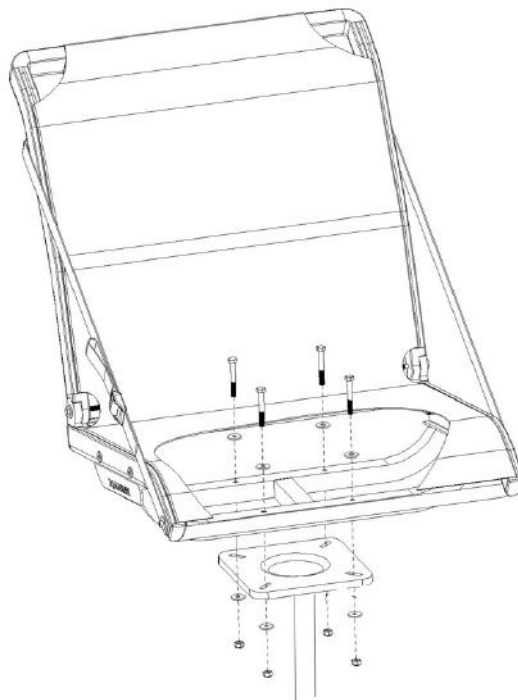


FIGURE 8

Now simply drop the seat post onto the risers and you are ready to go.

WARNING:

The side Kick is for fishing only, do not use at speeds above 5 MPH.

Before each use check all knobs to insure that they are tight and the center riser is completely seated down into the receiver in the deck of the boat.

Always wear a PFD (Personal Flotation Device) while sitting in your side kick.

Always remove and stow the Side Kick before traveling at speeds above 5 MPH.

WARRANTY

Millennium Outdoors, LLC Warrants its products against defects in material and workmanship with proper use and storage for a period of 1 year from the date of purchase. Proof of purchase must be presented for any warranty claim. In event the product is found to be defective within the warranty period, Millennium Outdoors, LLC only obligation and your exclusive remedy shall be replacement or repair of any defective parts at our discretion. To obtain warranty service, please contact Millennium Outdoors, LLC customer service at (601) 932-5832. Exclusions to this warranty include seat fabric, paint, plastic, webbing and/or defects caused by operator misuse and/or abuse. Limitations to liability include the forgoing warranty is made in lieu of all other warranties, expressed or implied and Millennium Outdoors, LLC disclaims any implied warranty or merchantability and fitness. Millennium Outdoors, LLC shall not be liable for any damages direct, consequential or incidental arising out of the use or inability of this product.



Millennium Outdoors, LLC 201 Fairmont Plaza Pearl, MS 39208
Phone 601-932-5832 Fax 601-932-0068
Millenniummarine.com