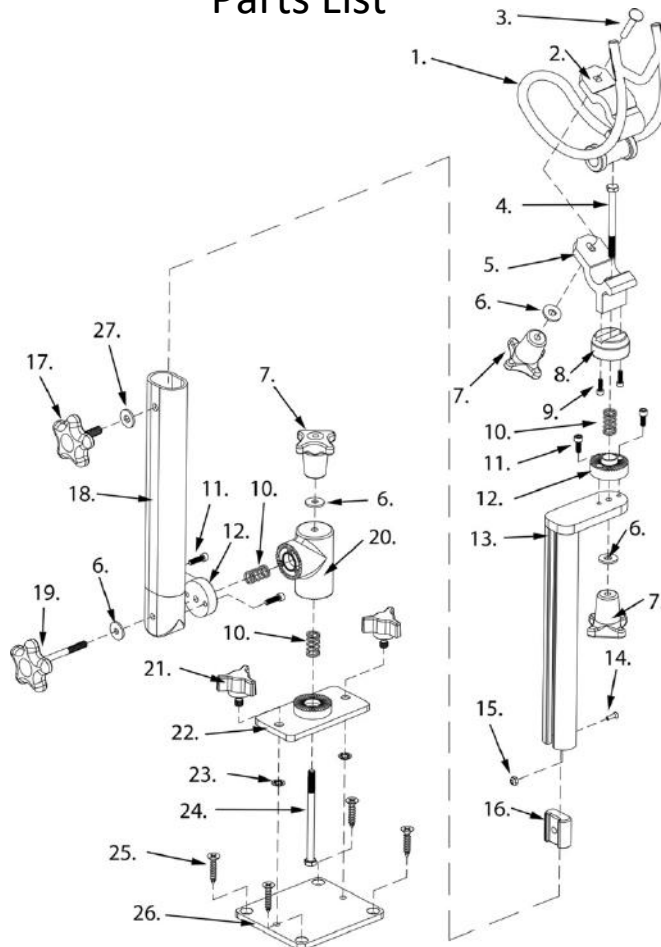




## Instructions For R-200 Single Rod Holder.

### Parts List



#	Description	Quantity	Size	Part Number
1	Single Rod Holder	1		Y-200-01
2.	Pivot Cap	1		Y-200-02
3.	Carriage Bolt	1	¼" x 1-3/4" Stainless	Z-123-76
4.	Rod Holder Head Mounting Bolt	1	¼" x 3" Stainless	Z-123-77
5.	Pivot Cradle	1		Y-200-03
6.	Flat Washer	4	¼" x ¾" Stainless	Z-123-68
7.	Knob	2	¼"-20	Y-200-04
8.	Pivot Cradle Teeth	1		Y-200-05
9.	Cradle Teeth Mounting Bolts	2	8-32 x ½" Cap Screw Stainless	Z-123-78
10.	Spring	3		Y-200-06

11.	Cap Head Bolts	4	10-24 x 1" Stainless	Z-123-69
12.	Male Composite Teeth	2		Y-300-05
13.	Top Upright	1		Y-200-07
14.	Slide Limit Bolt	1		Z-123-71
15.	Slide Limit Ny-loc Nut	1		Z-123-72
16.	Slide Lock	1		Y-300-10
17.	Vertical Slide Adjustment Knob	1		Y-300-13
18.	Lower Upright	1		Y-200-08
19.	Rotational Adjustment knob	1		Y-300-09
20.	Composite Dual Axis Mount	1		Y-200-08
21.	Mounting Knobs	2		Y-200-09
22.	Mounting Plate	1		Y-200-10
23.	Keeper	2		Y-200-11
24.	Dual Axis Mounting Bolt	2	1/4" x 3-5/8" bolt Stainless	Z-123-79
25.	Deck Plate Screws	4		Z-123-73
26.	Deck Plate	1		R-101-00
27.	Stainless Flat Washer	1	5/16 x 3/4"	Z-123-70

## ASSEMBLY

**STEP 1: Assemble the Rod Holder Head Assembly to the Upright Assembly as seen in (Image 1.)**

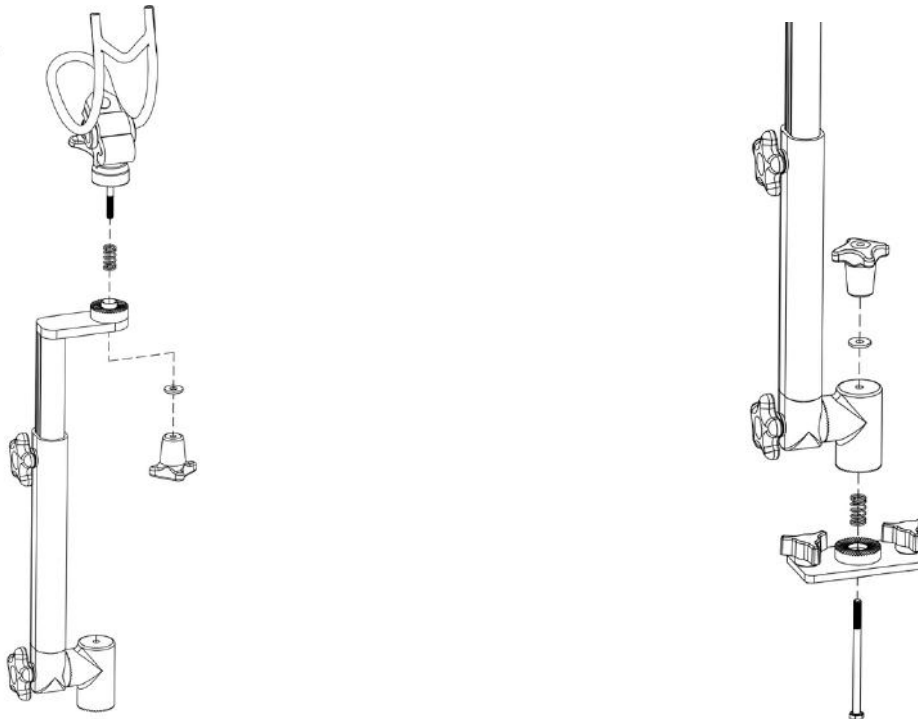


Image 1.

STEP 2. Assemble the Mounting plate to the Composite Dual Axis Mount as seen in (Image 2.)

Image 2.

STEP 3. Screw the Deck Plate to your preferred location with the 4 screws provided as seen in Image 3.

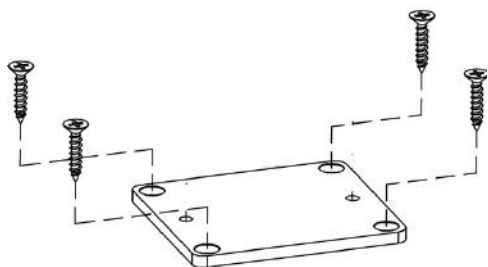


Image 3.

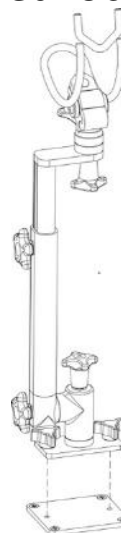


Image 4.

STEP 4. Now attach the complete Rod Holder Assembly to the deck plate with the two knobs attached as seen in (Image 4.)

#### WARRANTY

Millennium Outdoors, LLC Warrants its products against defects in material and workmanship with proper use and storage for a period of 3 years from the date of purchase. Proof of purchase must be presented for any warranty claim. In event the product is found to be defective within the warranty period, Millennium Outdoors, LLC only obligation and your exclusive remedy shall be replacement or repair of any defective parts at our discretion. To obtain warranty service, please contact Millennium Outdoors, LLC customer service at (601) 932-5832. Exclusions to this warranty include seat fabric, paint, plastic, webbing and/or defects caused by operator misuse and/or abuse. Limitations to liability include the forgoing warranty is made in lieu of all other warranties, expressed or implied and Millennium Outdoors, LLC disclaims any implied warranty or merchantability and fitness. Millennium Outdoors, LLC shall not be liable for any damages direct, consequential or incidental arising out of the use or inability of this product.

