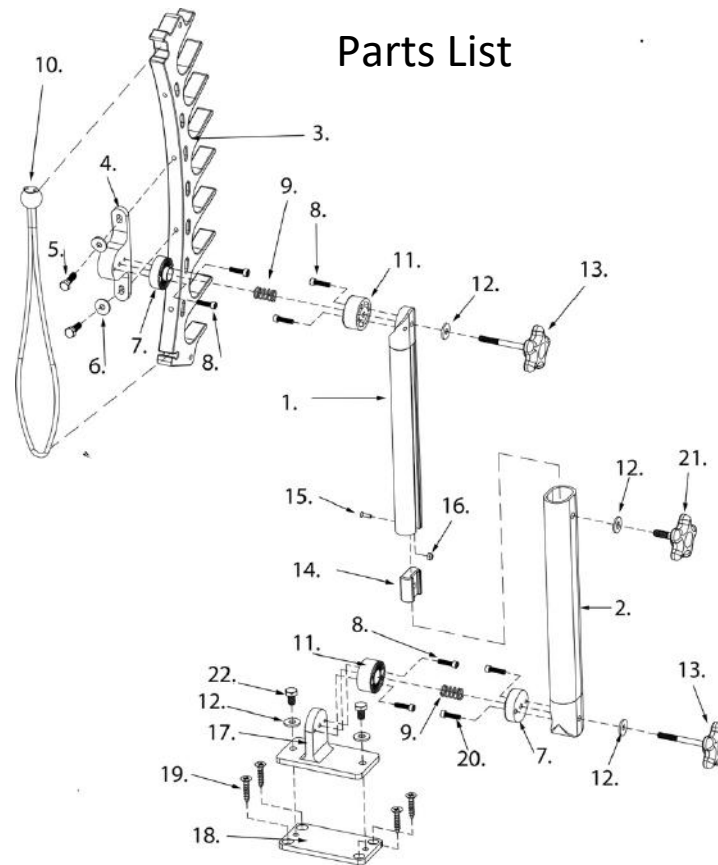




## Instructions For R-300 Rod Transport Rack.



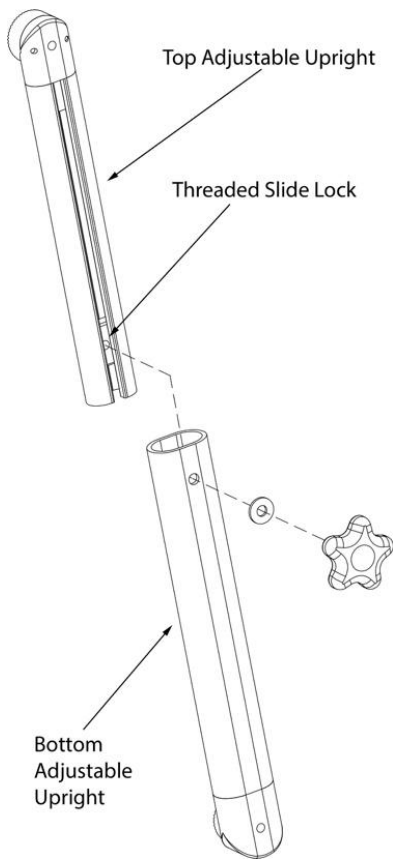
### Parts List

#	Description	Quantity	Size	Part Number
1.	Top Upright	2		Y-300-01
2.	Lower Upright	2		Y-300-02
3.	Rubber Coated 8 Rod Rack	2		Y-300-03
4.	Top Mounting Block	2		Y-300-04
5.	Top Mounting Block Bolts	4	1/4"-20 x 7/8" Stainless	Z-123-67
6.	Top Mounting Block Washer	4	1/4" x 3/4" Stainless	Z-123-68
7.	Male Composite Teeth	4		Y-300-05
8.	Cap Head Bolts	12	10-24 x 1" Stainless	Z-123-69
9.	Spring	4		Y-300-06
10.	Bungee Assembly	2		Y-300-07
11.	Female Composite Teeth	4		Y-300-08
12.	Washer	10	5/16" x 3/4" Stainless	Z-123-70
13.	Rotation Adjustment Knob	4		Y-300-09
14.	Slide Lock	2		Y-300-10
15.	Slide Limit Bolt	2		Z-123-71

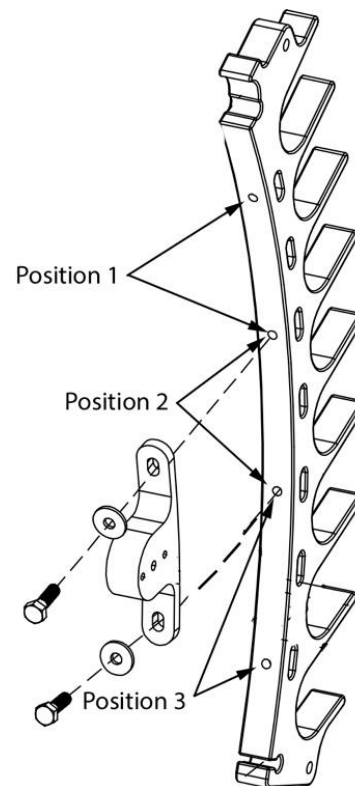
16.	Slide Limit Ny-loc Nut	2		Z-123-72
17.	Bottom Mounting Block	2		Y-300-11
18.	Deck Mounting Plate	2		Y-300-12
19.	Deck Plate Screws	8		Z-123-73
20.	Cap Head Bolt	4	10-24 x 3/4" Stainless	Z-123-74
21.	Vertical Slide Adjustment Knob	2		Y-300-13
22.	Mounting Bolt	4	5/16" x 5/8" Stainless	Z-123-74

## ASSEMBLY

**STEP 1:** Install the top adjustable upright into the bottom adjustable upright and thread the (#21) knob with a washer into the slide lock as seen in (Image 1). Do this for both uprights.



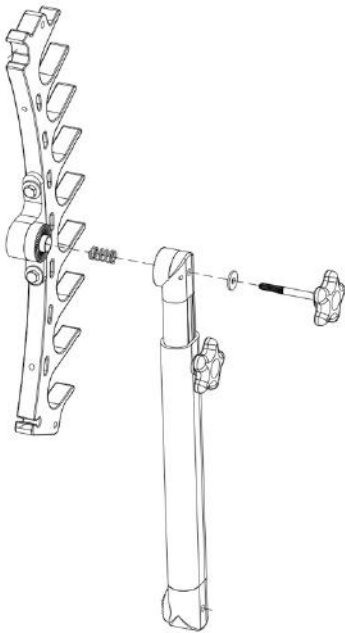
(Image 1.)



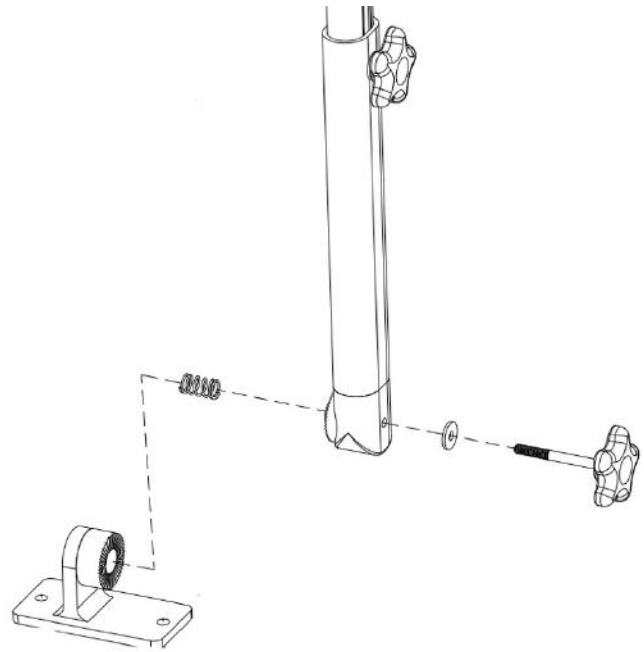
(Image 2.)

STEP 2: Install the upper mounting block (#4) to the Rubber Coated 8 Rod Rack (#3) with (#5) bolts and (#6) washers as seen in (Image 2).  
Note: There are 3 positions the mounting block can be installed depending on your specific boat and preference.

STEP 3: Attach the Rubber Coated 8 Rod Rack (#3) to the top of the upright (#2) using the (#13) knob and (#12) washer be sure to insert (#9) spring as seen in (Image 3).



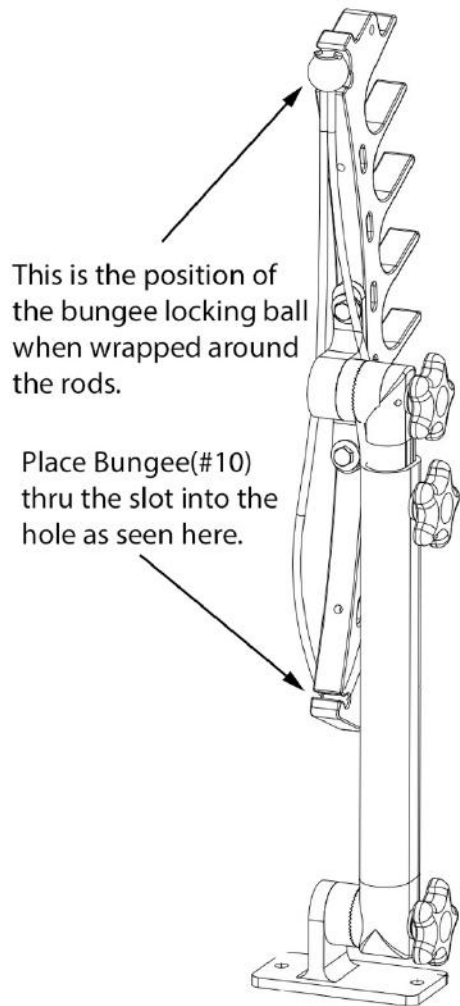
(Image 3.)



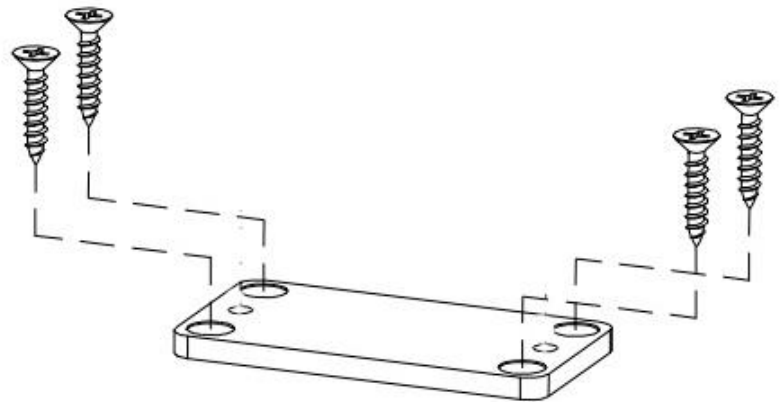
(Image 4.)

STEP 4: Now attach the bottom of the assembled upright to the (#17) Bottom Mounting Block using (#13) knob, (#12) washer and be sure to insert (#9) spring as in (Image 4).

STEP 5: Place Bungee (#10) thru the slot in the bottom of the Rubber Coated 8 Rod holder (#3) Note: the position of the Bungee locking ball as seen in (Image 5).



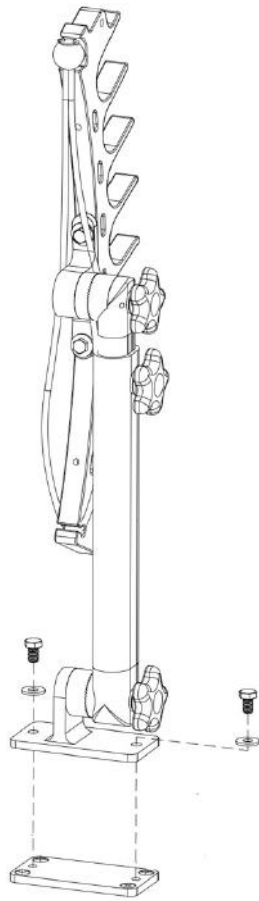
(Image 5)



(Image 6)

STEP 6: Now that the Rod Holder is assembled you can install the Deck Mounting Plate (#18) on the boat in the desired location as seen in (Image 6). The R-300 adjust in virtually every direction so it can be mounted in just about any boat. It can be mounted on the deck or gunnels. The distance between the two holders will be determined by the size and type of boat and rod lengths you are using.

STEP 7: With the deck plate mounted in the desired location you can install the R-300 Rod Transport Rack on the mounting Plate with the (#22) bolts and (#12) washers as seen in (Image 7).



(Image 7)

Image below is a typical installation with the rods but there can be many variations.



## WARRANTY

Millennium Outdoors, LLC Warrants its products against defects in material and workmanship with proper use and storage for a period of 3 years from the date of purchase. Proof of purchase must be presented for any warranty claim. In event the product is found to be defective within the warranty period, Millennium Outdoors, LLC only obligation and your exclusive remedy shall be replacement or repair of any defective parts at our discretion. To obtain warranty service, please contact Millennium Outdoors, LLC customer service at (601) 932-5832. Exclusions to this warranty include seat fabric, paint, plastic, webbing and/or defects caused by operator misuse and/or abuse. Limitations to liability include the forgoing warranty is made in lieu of all other warranties, expressed or implied and Millennium Outdoors, LLC disclaims any implied warranty or merchantability and fitness. Millennium Outdoors, LLC shall not be liable for any damages direct, consequential or incidental arising out of the use or inability of this product.



Millennium Outdoors, LLC 201 Fairmont Plaza Pearl, MS 39208  
Phone 601-932-5832 Fax 601-932-0068  
[Millenniummarine.com](http://Millenniummarine.com)