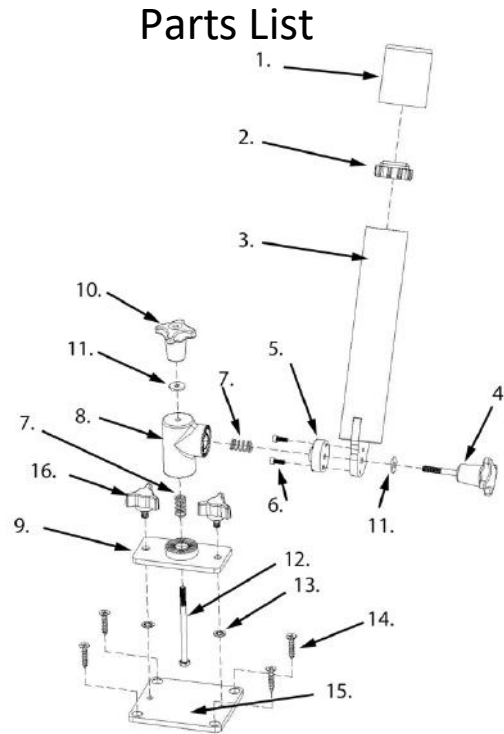




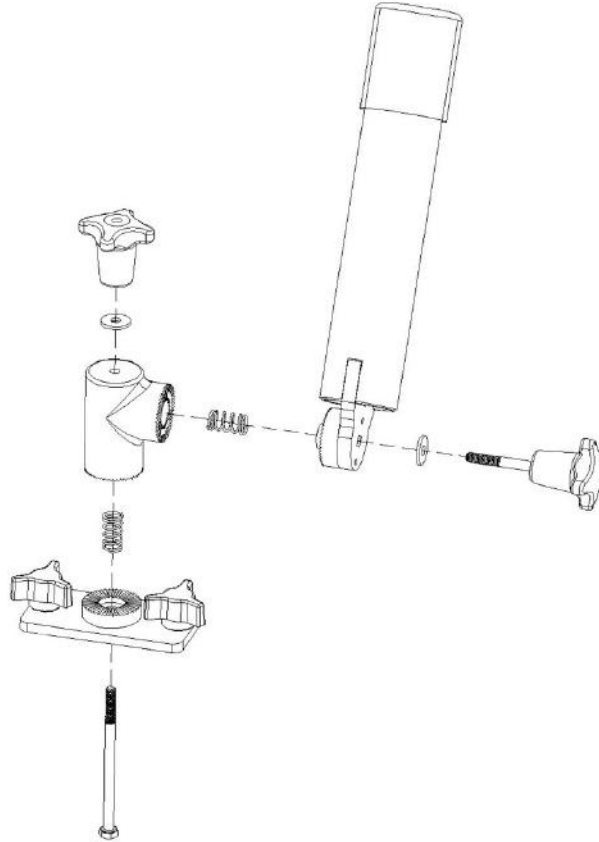
## Instructions For R-401 Rod Pod.



#	Description	Quantity	Size	Part Number
1.	Rubber Boot	1		Y-400-01
2.	Plastic Tube Plug	1		Y-400-02
3.	Rod Holder Tube	1		Y-400-03
4.	Knob Male	1	¼"-20 x 1-3/4"	Y-401-01
5.	Male Composite Teeth	1		Y-300-05
6.	Socket Head Bolt	2	10-24 x 1" Stainless	Z-123-69
7.	Spring	2		Y-200-06
8.	Composite Dual Axis Mount	1		Y-200-08
9.	Mounting Plate	1		Y-200-10
10.	Knob Female	1	¼-20	Y-200-04
11.	Flat Washer	2	¼ x ¾"	Z-123-68
12.	Bolt	2	¼-20 x 3-5/8"	Z-123-79
13.	Keeper	2		Y-200-11
14.	Deck Plate Screws	4		Z-123-73
15.	Deck Plate	1		R-101-00
16.	Mounting Knobs	2		Y-200-09

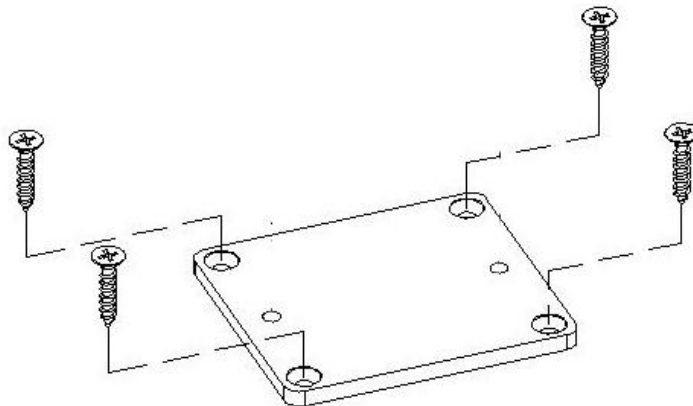
## ASSEMBLY AND INSTALLATION

STEP 1: Assemble the rod holder assembly as seen in Image 1.



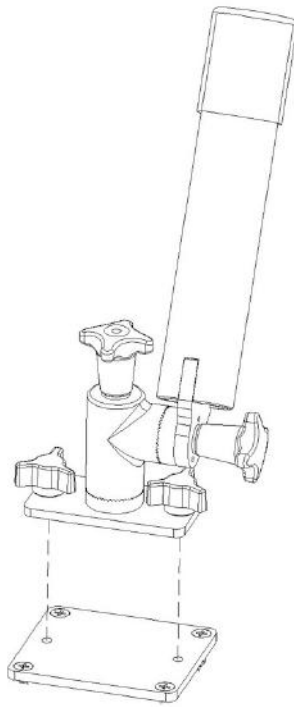
(IMAGE 1)

STEP 2: Mount the R-101 Deck Plate on the boat in your desired location with the 4 screws supplied as seen in Image 2. If you have access to the underside of the deck you are mounting the plate on you can use bolts with nuts and washers instead of the supplied deck mount screws for an even stronger installation.



(IMAGE 2)

STEP 3: You can now attach the complete Rod Pod to the Deck Plate as seen in (IMAGE 3).



(Image 3)

#### WARRANTY

Millennium Outdoors, LLC Warrants its products against defects in material and workmanship with proper use and storage for a period of 3 years from the date of purchase. Proof of purchase must be presented for any warranty claim. In event the product is found to be defective within the warranty period, Millennium Outdoors, LLC only obligation and your exclusive remedy shall be replacement or repair of any defective parts at our discretion. To obtain warranty service, please contact Millennium Outdoors, LLC customer service at (601) 932-5832. Exclusions to this warranty include seat fabric, paint, plastic, webbing and/or defects caused by operator misuse and/or abuse. Limitations to liability include the forgoing warranty is made in lieu of all other warranties, expressed or implied and Millennium Outdoors, LLC disclaims any implied warranty or merchantability and fitness. Millennium Outdoors, LLC shall not be liable for any damages direct, consequential or incidental arising out of the use or inability of this product.



Millennium Outdoors, LLC 201 Fairmont Plaza Pearl, MS 39208

Phone 601-932-5832 Fax 601-932-0068

[Millenniummarine.com](http://Millenniummarine.com)