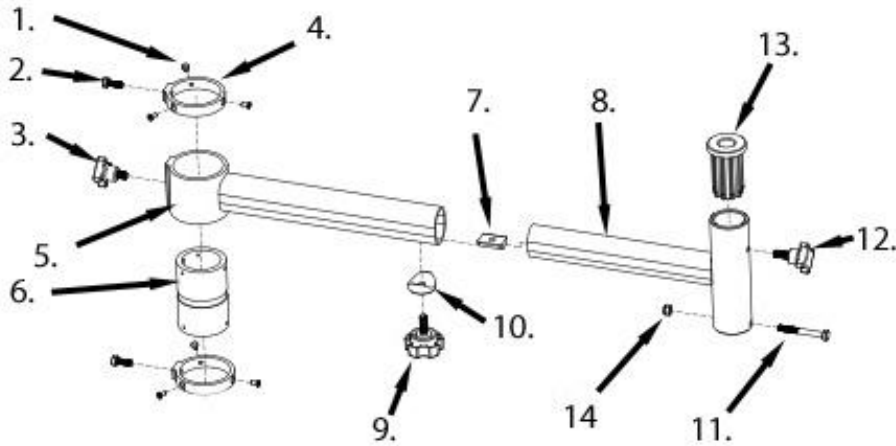


Instructions for U-571-00 Shade Tree Umbrella Holder Exploded View



1.Collar Screws	(6)	8.Horizontal Support Female	(1)
2.Set Screws $\frac{1}{4} \times \frac{3}{4}$	(2)	9.Slide Lock Knob	(1)
3.Rotational Locking Knob	(1)	10. Knob Seat	(1)
4.Collar	(2)	11.Bottom Stop Bolt	(1)
5.Horizontal Support Male	(1)	12.Umbrella Locking Knob	(1)
6.Bearing	(1)	13. Reducer Bushing	(1)
7.Slide Lock	(1)	14. Stop Bolt Nut	(1)