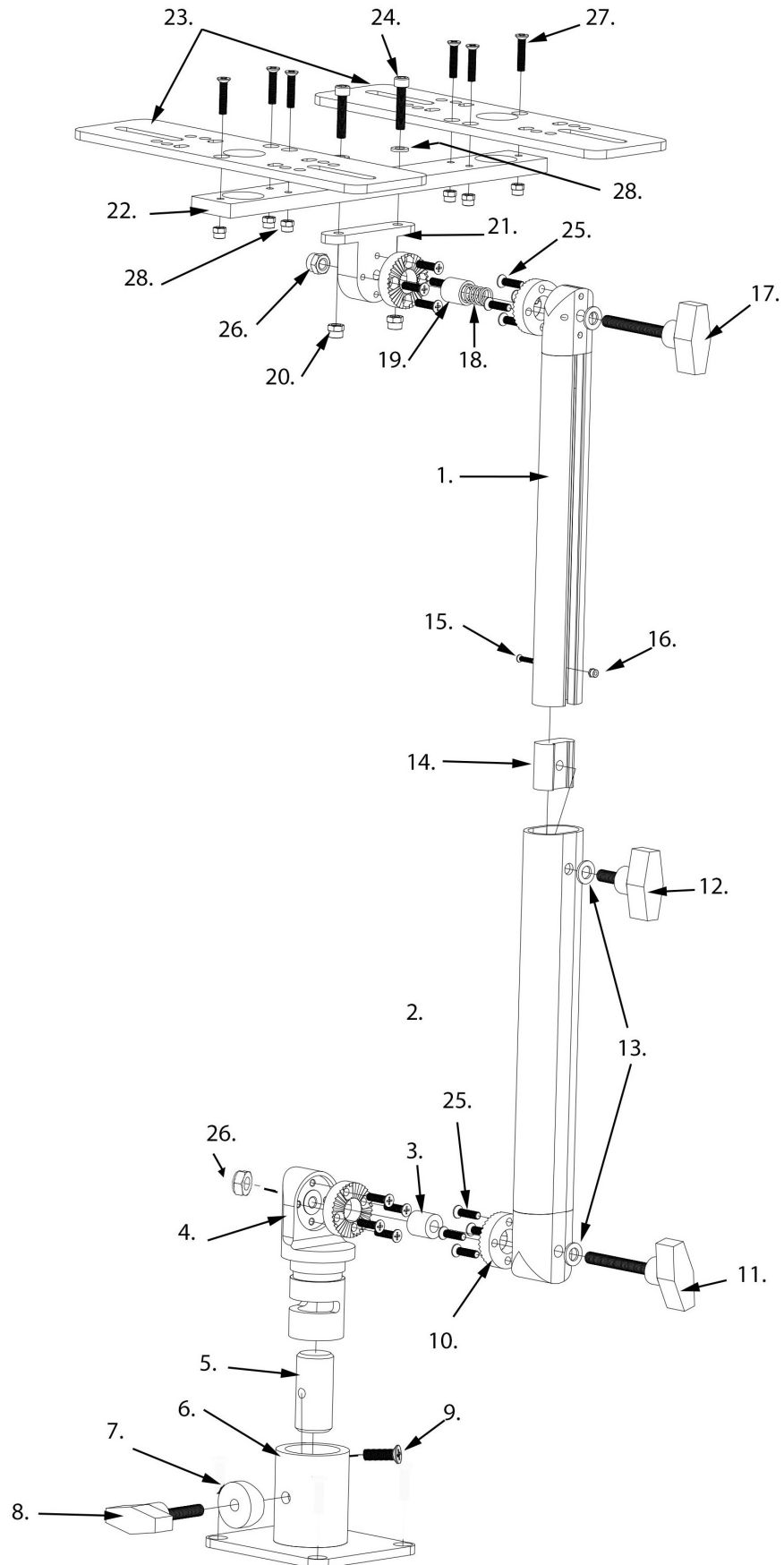




Instructions for MM-002-00 and MM-002-BL

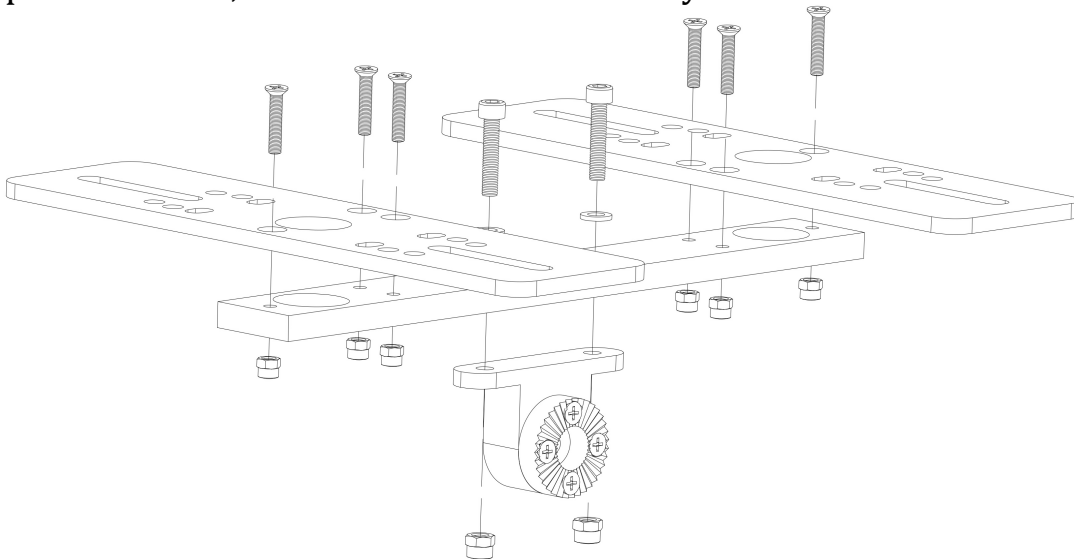
Parts List



| # | Description | Quantity | Size | Part Number |
|-----|--------------------------|----------|---------------------------|-------------|
| 1. | Top Upright | 1 | | Y-001-01 |
| 2. | Lower Upright | 1 | | Y-001-02 |
| 3. | Aluminum Sleeve | 1 | 5/16" | Y-001-06 |
| 4. | Rotational Mount | 1 | 180 Degree | Y-001-08 |
| 5. | Rotational Lock | 1 | | Y-001-09 |
| 6. | Deck Mount | 1 | | Y-001-10 |
| 7. | Knob Seat | 1 | | Y-001-11 |
| 8. | Rotational Knob | | 5/16" X 1-1/2" | Y-001-07 |
| 9. | Safety Lock Screw | 1 | M-5 x 8 | Y-001-12 |
| 10. | Four bolt aluminum teeth | 4 | | Y-001-04 |
| 11. | Bottom Pitch Knob | 1 | 5/16" X 3" | Y-001-05 |
| 12. | Knob vertical slide lock | 1 | 5/16" X 1" | Y-300-13 |
| 13. | Flat Washer | 4 | 5/16" X 3/4" | Y-123-70 |
| 14. | Vertical Slide Lock | 1 | | Y-300-10 |
| 15. | Slide Limit Bolt | 1 | | Z-123-71 |
| 16. | Slide Limit Ny-lock Nut | 1 | | Z-123-75 |
| 17. | Top Pitch Knob | 1 | 5/16" X 2-5/8" | Y-001-06 |
| 18. | Spring | 1 | | Y-300-06 |
| 19. | Spring Sleeve | 1 | | Y-200-18 |
| 20. | Ny-Lock Nut | 2 | Stainless 1/4" x 20 | Z-123-96 |
| 21. | Pitch Block | 1 | | Y-001-13 |
| 22. | Mounting Bridge | 1 | | Y-002-02 |
| 23. | Mounting Plate | 2 | | Y-002-01 |
| 24. | Mounting Plate Bolts | 2 | 1/4" x 1-3/4" Socket Head | Y-001-16 |
| 25. | Teeth Mounting Bolts | 20 | 10-24 x 1" | Y-001-17 |
| 26. | Ny-Loc Nut | 2 | 5/16" | Y-001-18 |
| 27. | Plate bolts | 6 | 10/24 x 1" | Y-002-05 |
| 28. | Flat Washer | 2 | 1/4" Stainless | Z-123-68 |

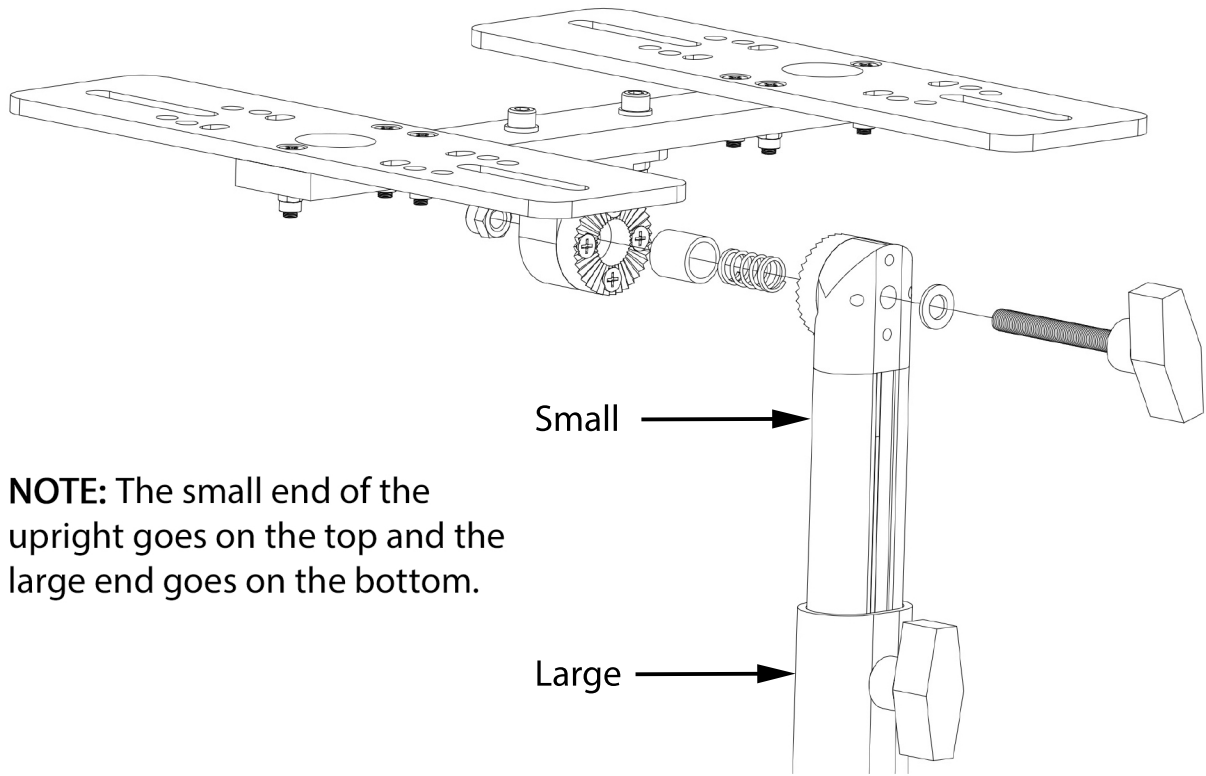
ASSEMBLY

Step 1: Assemble the mounting plates to the Mounting Bridge using six 10/24 x 1" bolts and Ny-loc nuts. Also assemble the mounting Bridge to the Pitch Block using two 1/4" x 1-1/4" cap head screws, two flat washers and two Ny-Loc nuts as seen in Image 1.



(Image 1)

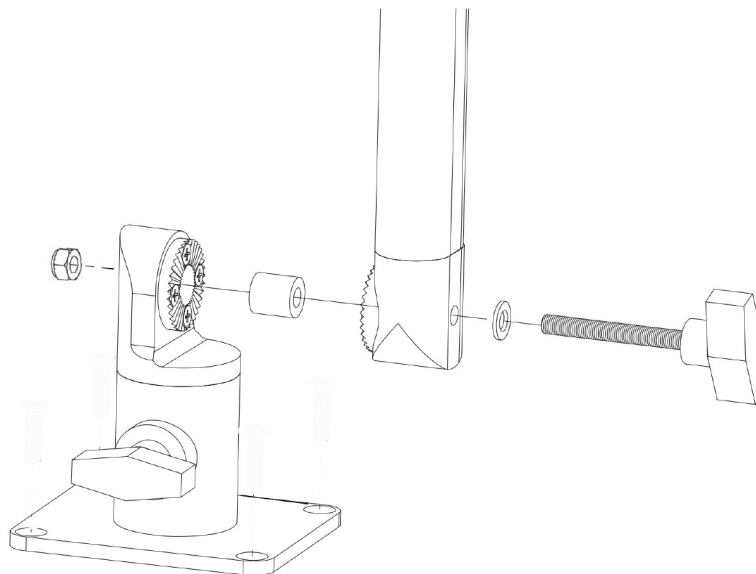
STEP 2: Assemble the mount assembly to the top of the upright as seen in Image 2. NOTE: The lock nut should be installed on the end of the knob as a safety to prevent it from coming lose, it should not be tight.



NOTE: The small end of the upright goes on the top and the large end goes on the bottom.

(Image 2)

STEP 3: Assemble the bottom of the upright assembly to the Rotational mount as seen in Image 3. place Nylock nut on the end of the knob as a safety, it should not be tight.



(Image 3)

Your Monitor Mount is now ready to install on the boat. Installation on the boat is the sole responsibility of the user. We suggest taking it to your local Marine Dealer for professional installation.

NOTE: Check all knobs and hardware frequently to make sure they are tight.

WARRANTY

Millennium Outdoors, LLC Warrants its products against defects in material and workmanship with proper use and storage for a period of 1 year from the date of purchase. Proof of purchase must be presented for any warranty claim. In event the product is found to be defective within the warranty period, Millennium Outdoors, LLC only obligation and your exclusive remedy shall be replacement or repair of any defective parts at our discretion. To obtain warranty service, please contact Millennium Outdoors, LLC customer service at (601) 932-5832. Exclusions to this warranty include seat fabric, paint, plastic, webbing and/or defects caused by operator misuse and/or abuse. Limitations to liability include the forgoing warranty is made in lieu of all other warranties, expressed or implied and Millennium Outdoors, LLC disclaims any implied warranty or merchantability and fitness. Millennium Outdoors, LLC shall not be liable for any damages direct, consequential or incidental arising out of the use or inability of this product.



Millennium Outdoors, LLC 201 Fairmont Plaza Pearl, MS 39208
Phone 601-932-5832 Fax 601-932-0068
Millenniummarine.com