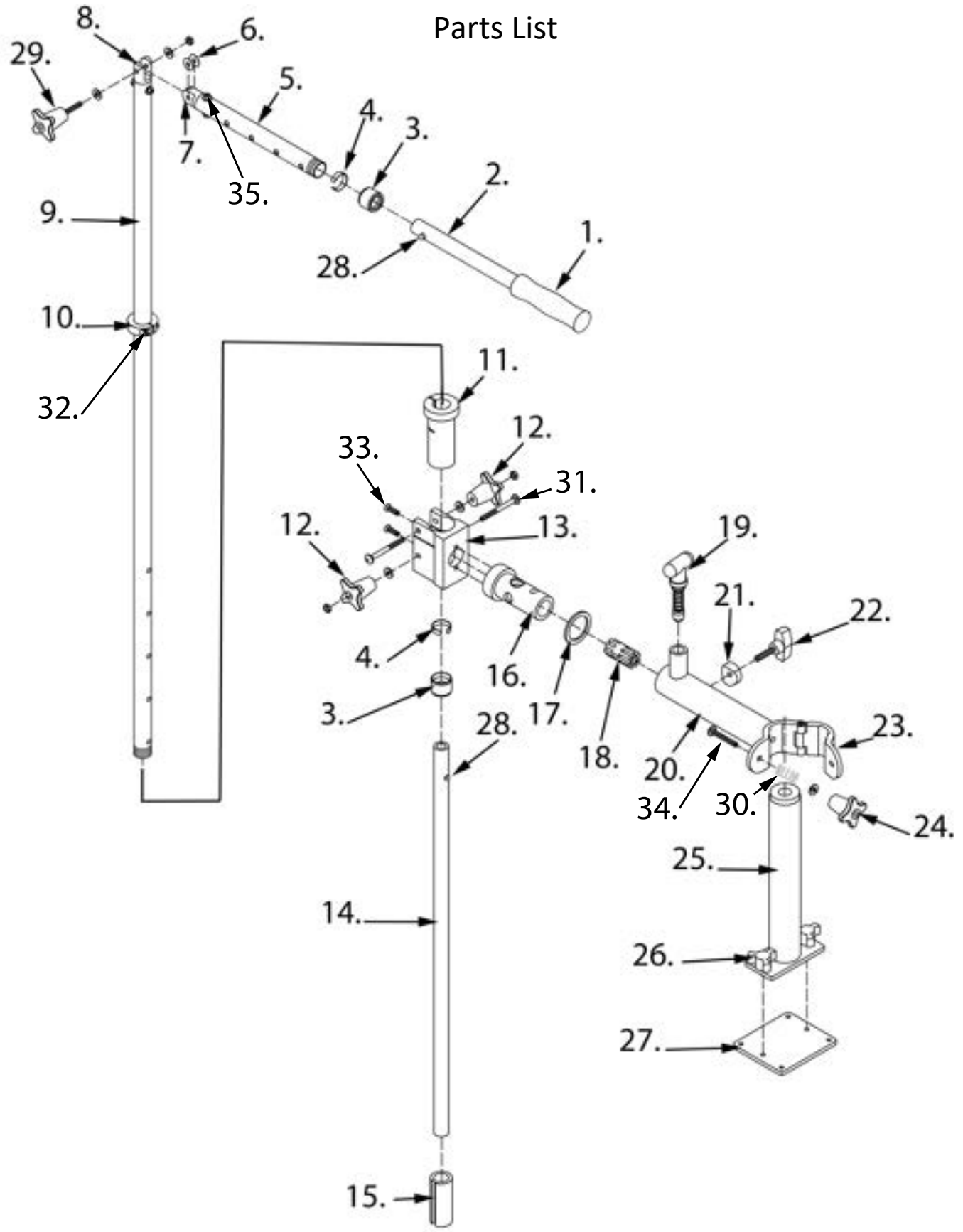




Instructions For TP-100 Break Away Transducer Pole

Parts List



PARTS

#	Description	Quantity	Size	Part Number
1.	Foam Hand Grip	1		Y-100-35
2.	Aluminum Handle	1		Y-100-36
3.	Compression Nut	2		Y-100-37
4.	Plastic Compression Ring	2		Y-100-38
5.	Handle Extension	1		Y-100-39
6.	Plastic Friction Washers	2		Y-100-40
7.	Handle Hinge (Male)	1		Y-100-41
8.	Handle Hinge (Female)	1		Y-100-42
9.	Main Aluminum Down Tube	1		Y-100-43
10.	Depth Adjustment Collar	1		Y-100-44
11.	Down Tube Compression Bushing	1		Y-100-45
12.	Knob With Recess For Nut	2		Y-100-46
13.	Down Tube Compression Block	1		Y-100-47
14.	Composite Down Tube Extension	1		Y-100-48
15.	Transducer Mount Bushing	1		Y-100-49
16.	Rotational Mount (180 deg.)	1		Y-100-50
17.	Plastic Washer	1		Y-100-51
18.	Break Away Friction Tensioner	1		Y-100-52
19.	Plunger Assembly	1		Y-100-53
20.	Horizontal Support	1		Y-100-54
21.	Knob Seat	1		Y-100-55
22.	Friction Knob	1	5/18" x 1-1/2"	Y-001-07
23.	Tube Clamp	1		Y-200-17
24.	Female Knob	1		Y-200-04
25.	Mounting Riser	1		Y-100-57
26.	Mounting Knob	2		Y-200-09
27.	Deck Plate	1		R-101-00
28.	Detent Button	2		Y-100-58
29.	Male Knob	1	1/4" x 1-1/2"	Y-100-59
30.	Spring	1		Y-200-06
31.	Carriage Bolt		1/4" x 3-1/2" Stainless	Z-123-97
32.	Socket Head Screw	1	1/4" x 5/8" Stainless	Y-100-60
33.	Phillips Head Screw	2	1/4" x 3/4" Stainless	Y-100-61
34.	Carriage Bolt	1	1/4" x 2" Stainless	Z-123-76
35.	Socket Head Bolt	1	10-24 x 1-3/8" Stainless	Y-100-62

ASSEMBLY

Parts of the Transducer pole are assembled at the factory but there will be some minor assembly you will need to do before installation. We suggest you completely assemble the transducer pole in order to fit it to your boat and mark the four mounting holes before you install it.

STEP 1. Assemble # 25 Mounting Riser to #27 Deck Plate and # 20 Horizontal Support Assembly # 20 to Mounting Riser as seen in Figure 1.

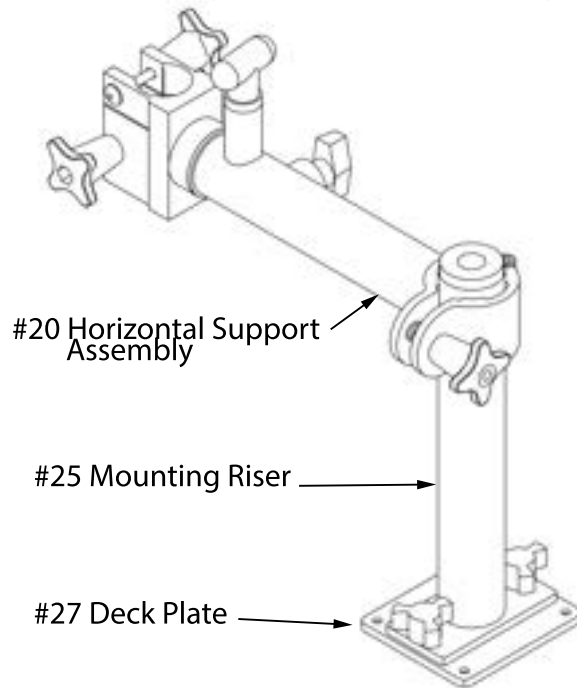


FIGURE 1

STEP 2. Install the # 11 Bushing as seen in Figure 2.

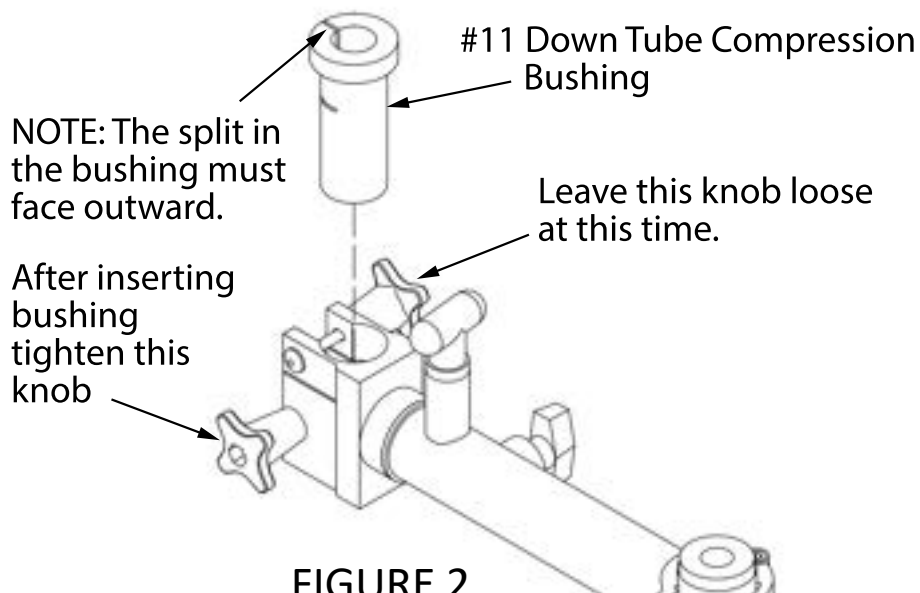


FIGURE 2

STEP 3. Install the #9 Down Tube as seen in Figure 3.

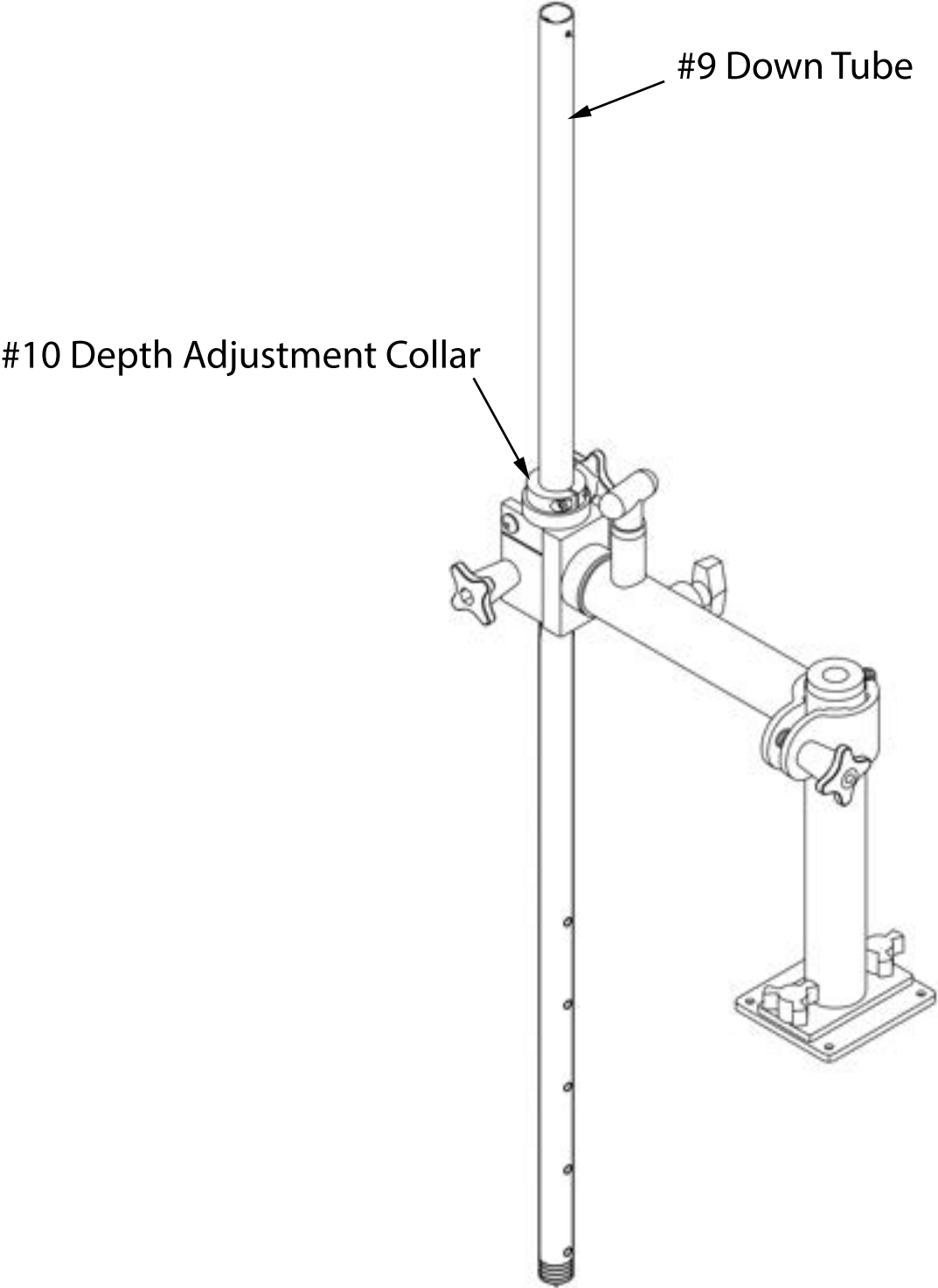


FIGURE 3

STEP 4. Install the Handle Assembly into the down tube using one 10-24 x 1-3/8" Socket head bolt, two washers and one Ny-loc nut as seen in Figure 4.

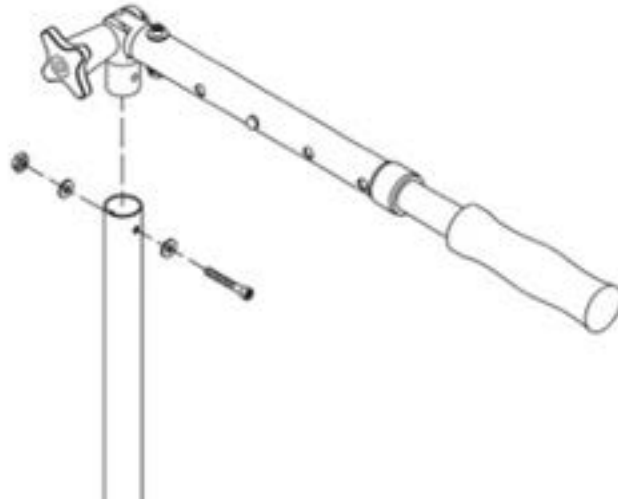


FIGURE 4.

STEP 5. Slide #14 Composite Down Tube Extension into the Aluminum Down Tube as seen in Figure 5.

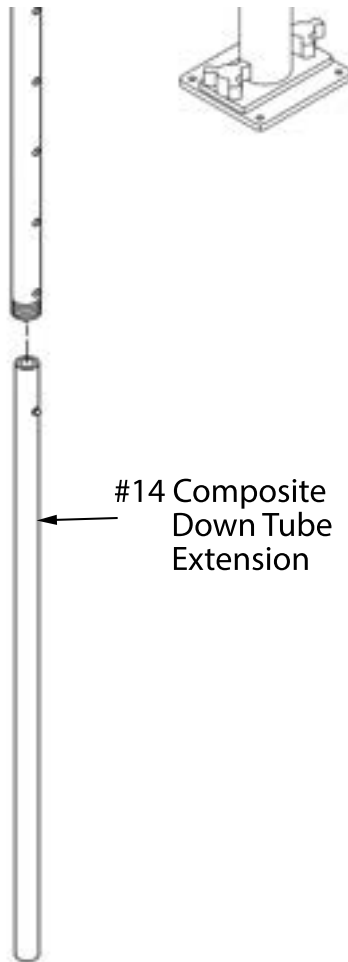


FIGURE 5.

STEP 6. Install compression nut and compression ring over composite extension and tighten on aluminum down tube as seen in Figure 6.

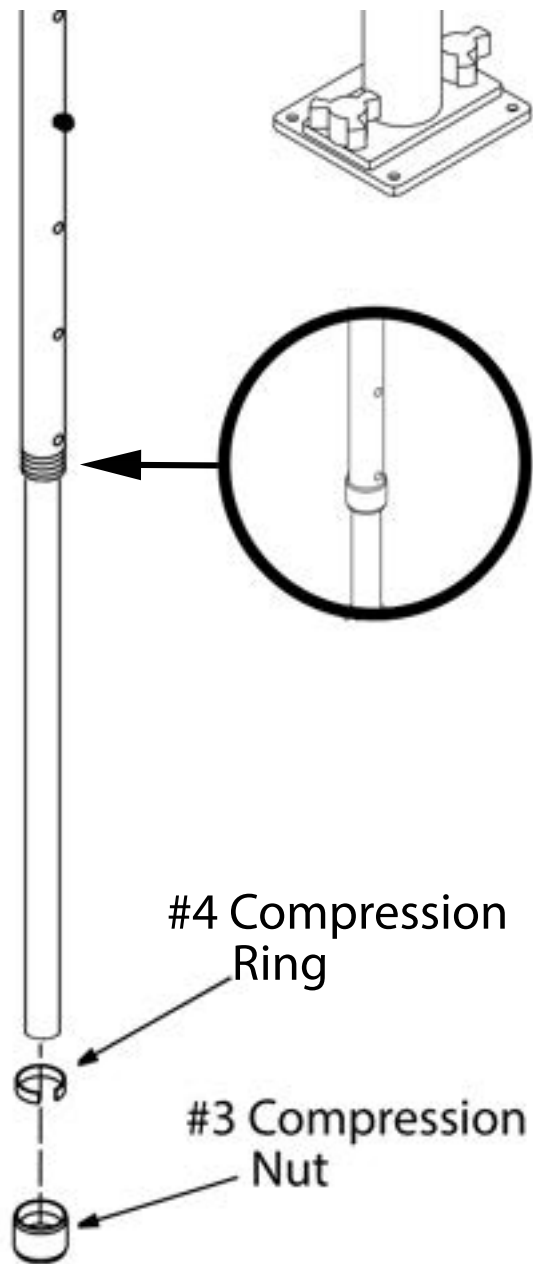


FIGURE 6.

Assembly is now complete and your transducer pole should look like Figure 7. and be ready to position on your boat.

Handle Tension Knob

This knob locks the down tube bushing in place and should always be tight.

This knob sets the drag tension on the handle when you are turning the transducer, the tighter it is the more drag there is on the handle.

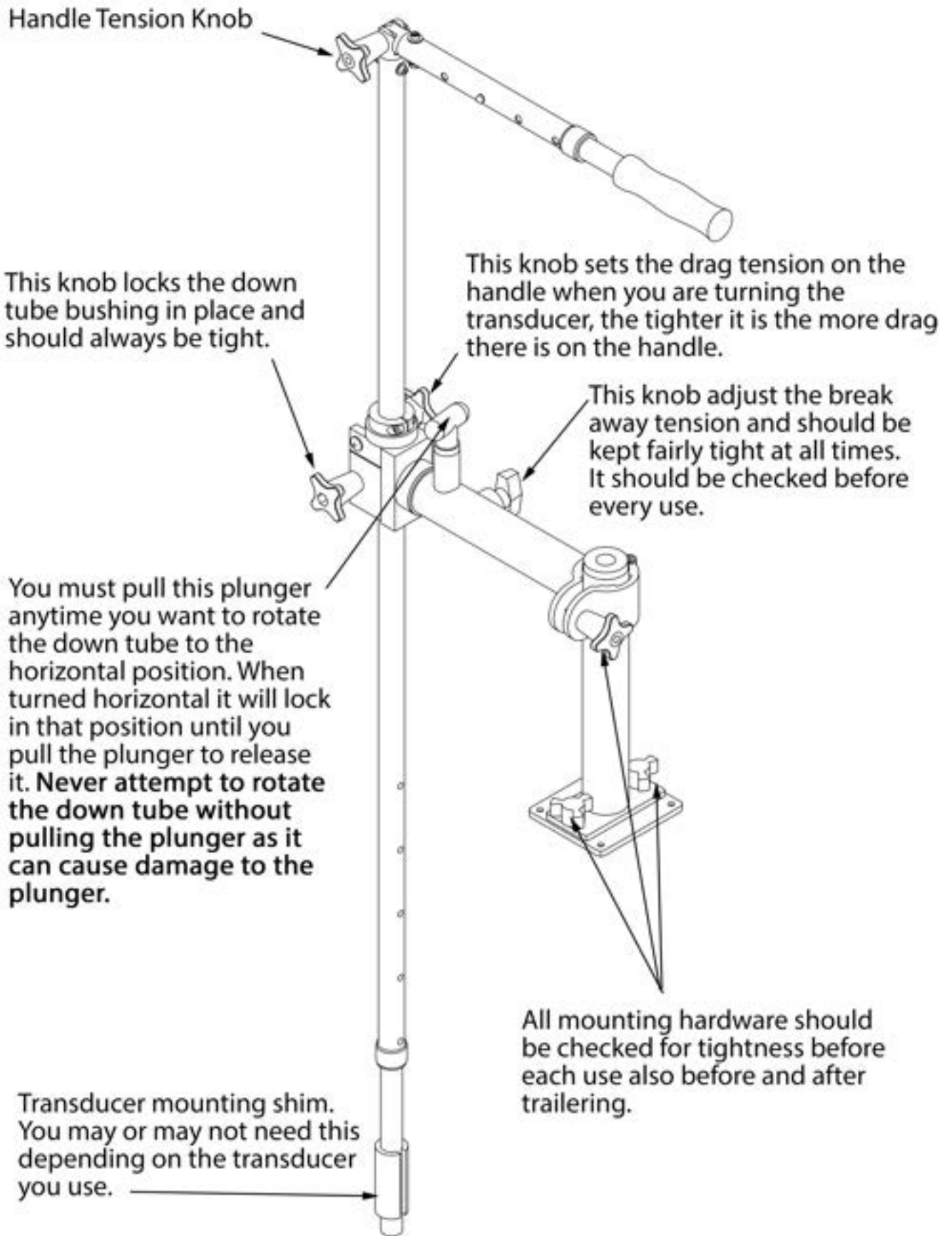
This knob adjust the break away tension and should be kept fairly tight at all times. It should be checked before every use.

You must pull this plunger anytime you want to rotate the down tube to the horizontal position. When turned horizontal it will lock in that position until you pull the plunger to release it. **Never attempt to rotate the down tube without pulling the plunger as it can cause damage to the plunger.**

Transducer mounting shim. You may or may not need this depending on the transducer you use.

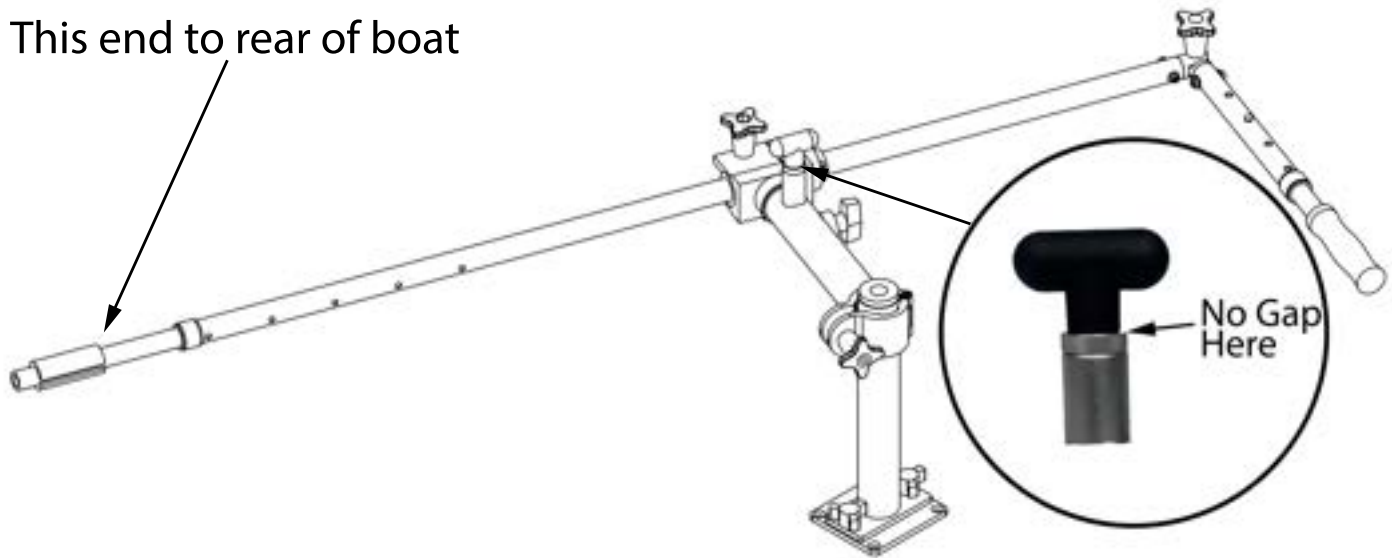
All mounting hardware should be checked for tightness before each use also before and after trailering.

FIGURE 7.



Be sure to rotate down tube to the horizontal position before getting under way and make sure the end with the transducer is always toward the rear of the boat as seen in Figure 8. Check that the plunger is all the way in, there should be no gap between plunger handle and the plunger barrel. That will ensure that it is locked in position.

This end to rear of boat



WARRANTY

Millennium Outdoors, LLC Warrants its products against defects in material and workmanship with proper use and storage for a period of 1 year from the date of purchase. Proof of purchase must be presented for any warranty claim. In event the product is found to be defective within the warranty period, Millennium Outdoors, LLC only obligation and your exclusive remedy shall be replacement or repair of any defective parts at our discretion. To obtain warranty service, please contact Millennium Outdoors, LLC customer service at (601) 932-5832. Exclusions to this warranty include seat fabric, paint, plastic, webbing and/or defects caused by operator misuse and/or abuse. Limitations to liability include the forgoing warranty is made in lieu of all other warranties, expressed or implied and Millennium Outdoors, LLC disclaims any implied warranty or merchantability and fitness. Millennium Outdoors, LLC shall not be liable for any damages direct, consequential or incidental arising out of the use or inability of this product.



Millennium Outdoors, LLC 201 Fairmont Plaza Pearl, MS 39208

Phone 601-932-5832 Fax 601-932-0068

Millenniummarine.com